

1

2

3

4

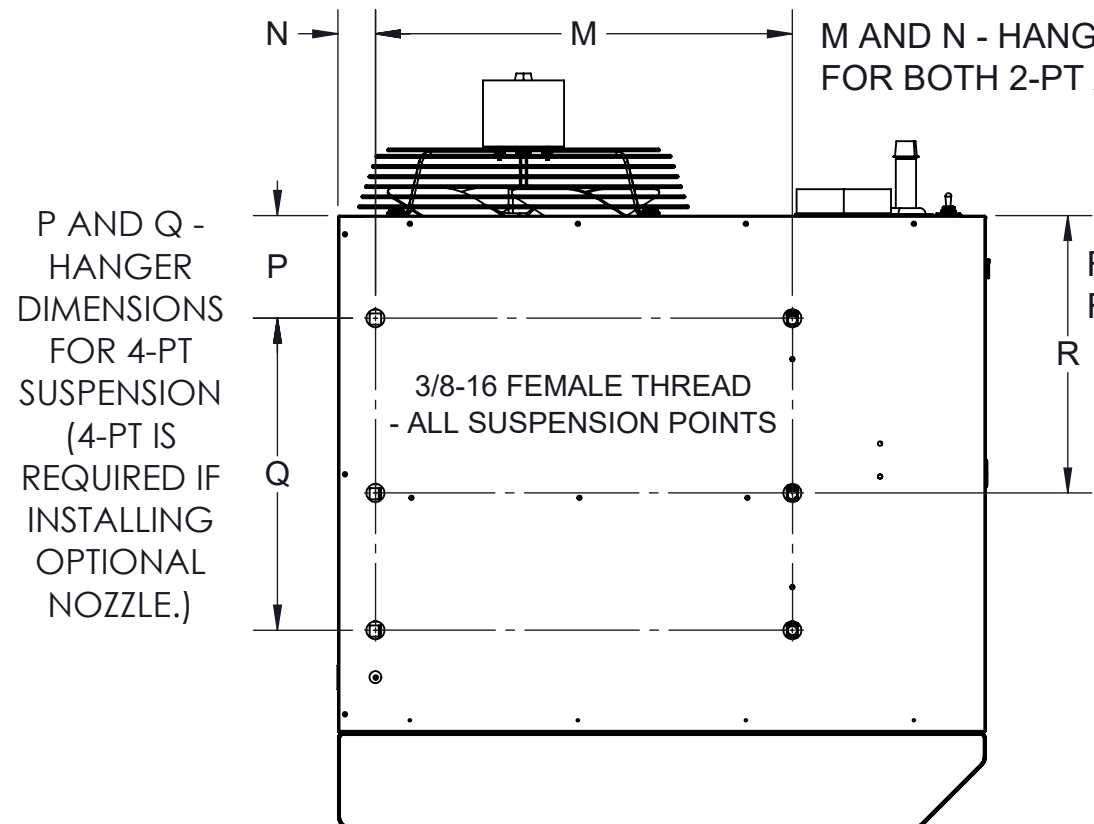
5

6

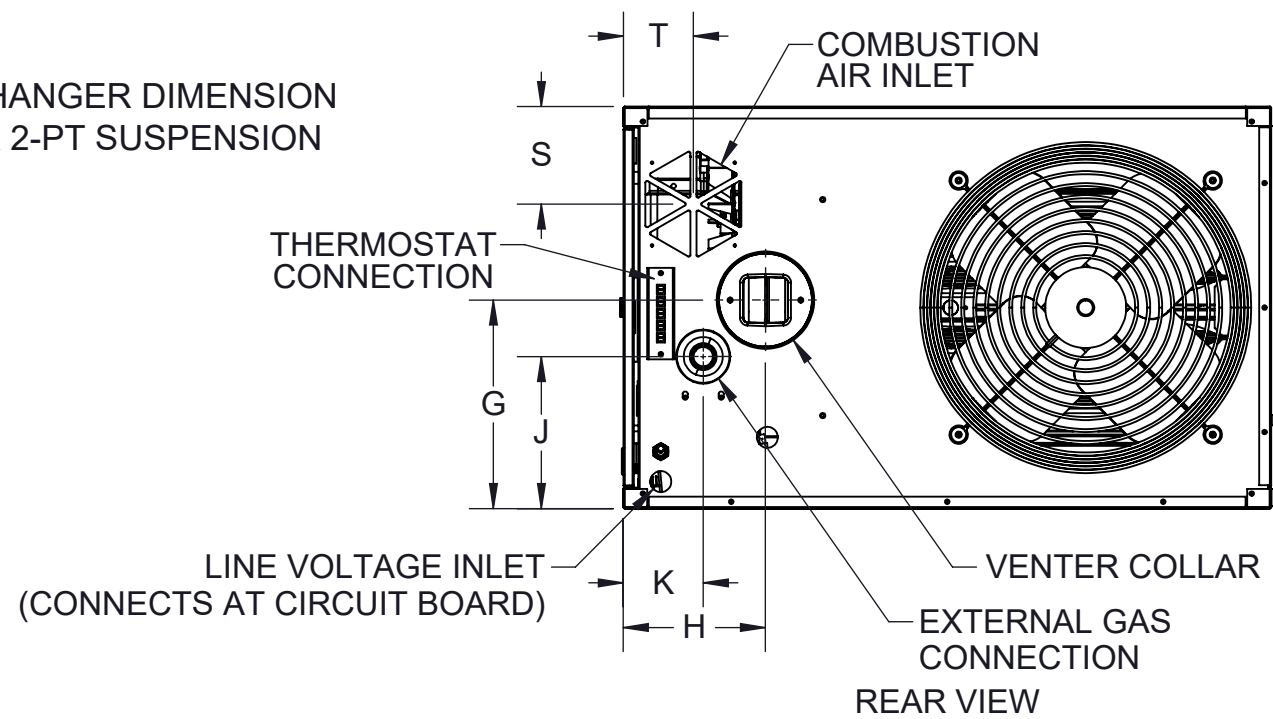
7

8

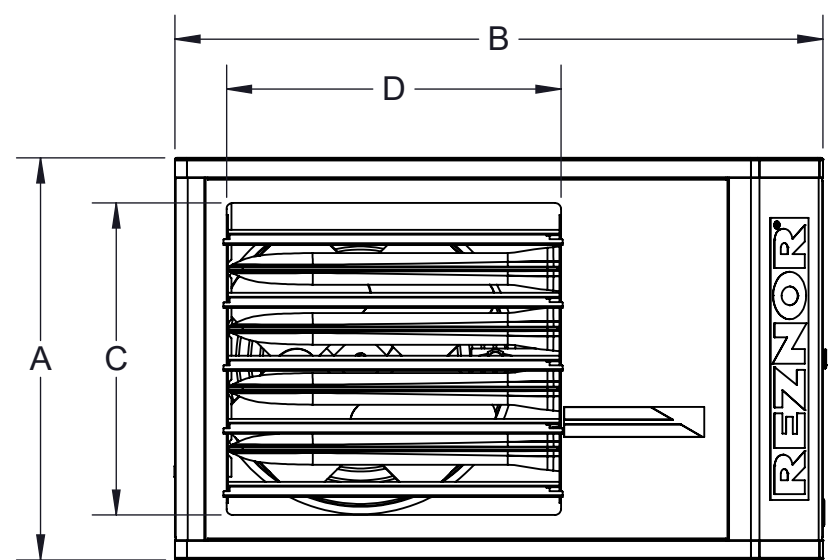
PART NUMBER SHOWN IS:
D303448



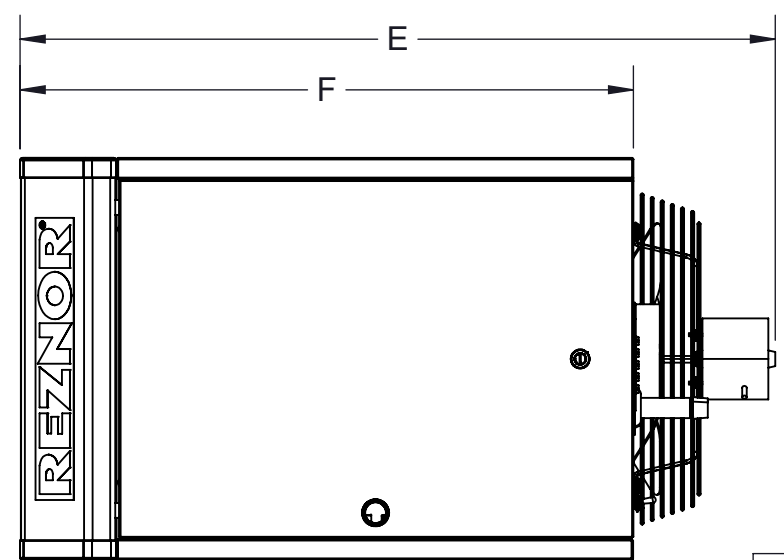
TOP VIEW



REAR VIEW



FRONT VIEW



RIGHT SIDE VIEW (ACCESS PANEL)

		THIRD ANGLE PROJECTION	NORTEK GLOBAL HVAC	8000 PHOENIX PKWY O'FALLON, MO 63368
		UNLESS OTHERWISE SPECIFIED DIMENSIONS ARE IN INCHES	THIS DRAWING IS THE PROPERTY OF NORDYNE ENGINEERING. ALL USE IS FORBIDDEN EXCEPT ON ITS WRITTEN CONSENT	
AUTH. NO.	DATE:	TOLERANCE UNLESS OTHERWISE SPECIFIED FOR HOLE DIAMETERS UP TO .250 ±.005, 250-1.000 ±.010, OVER 1.000 ±.015	TITLE: UDXC GENERAL ARRANGEMENT DRAWING	
ENGINEERING:	DATE:	TOLERANCE UNLESS OTHERWISE SPECIFIED FOR LINEAR DIMENSIONS AND SQUARENESS IS ±.04	PART(S) MUST COMPLY WITH ENGINEERING REQUIREMENT(S)	DRAWING NO. D303448
DRAFTER:	DATE:	TOLERANCE UNLESS OTHERWISE SPECIFIED FOR ANGLE IS ±1.5°	SIZE: B Wt:	REV. SHEET: 1 OF 2
IJB	11/21/2023			

REV.	REVISION RECORD	DATE	BY	ENGR.	ECM

1

2

3

4

5

6

7

8

PART NUMBER SHOWN IS:
D303448

DIMENSIONS - MODELS UDXC

UNIT SIZE	A	B	C	D	E	F	G	H	J	K	M	N	P	Q	R	S	T														
	INCHES ($\pm 1/16$) (mm (± 2))																														
30 / 45	13 3/4 (349)	27 (686)	10 (254)	13 13/16 (351)	29 3/4 (756)	25 9/16 (649)	6 (152)	8 11/16 (221)	3 1/2 (89)	3 11/32 (85)	17 3/8 (441)	1 9/16 (40)	4 9/32 (109)	13 (330)	11 9/16 (294)	3 3/4 (95)	2 15/16 (75)														
60	16 3/4 (425)		13 (330)		32 23/32 (831)		8 11/16 (221)		6 (152)							4 1/16 (103)															
75	24 3/4 (629)		21 (533)		31 29/32 (810)		15 5/16 (389)		8 29/32 (226)							5 15/16 (151)		5 3/8 (137)	6 1/2 (165)	25 11/16 (652)	1 13/32 (36)	8 1/8 (206)	22 3/16 (564)	16 3/8 (416)	5 1/2 (140)	4 1/4 (108)					
100					13 13/16 (351)																						48 7/16 (1230)	13 1/16 (332)	9 (229)	8 1/16 (205)	4 5/16 (110)
125					48 29/32 (1243)																						17 1/16 (433)	8 1/2 (216)	11 13/16 (300)	7 5/16 (186)	27 11/16 (703)
150 / 175 / 200	20 1/8 (511)	38 3/16 (970)	16 (406)	23 (584)	48 7/16 (1230)	40 (1016)	9 5/8 (244)	8 5/16 (211)	5 3/8 (137)	6 1/2 (165)	25 11/16 (652)	1 13/32 (36)	8 1/8 (206)	22 3/16 (564)	16 3/8 (416)	5 1/2 (140)	4 1/4 (108)														
225 / 250	26 1/8 (664)	41 (1041)	22 (559)		48 29/32 (1243)	17 1/16 (433)	8 1/2 (216)	11 13/16 (300)	7 5/16 (186)	27 11/16 (703)	16 1/4 (413)	11 9/16 (294)	4 1/2 (114)																		
300 / 350 / 400	34 1/8 (867)	41 (1041)	30 (762)		48 29/32 (1243)	17 1/16 (433)	8 1/2 (216)	11 13/16 (300)	7 5/16 (186)	27 11/16 (703)	16 1/4 (413)	11 9/16 (294)	4 1/2 (114)																		

THIRD ANGLE
PROJECTION 

 **NORTEK** 8000 PHOENIX PKWY
GLOBAL HVAC O'FALLON, MO 63368

UNLESS OTHERWISE SPECIFIED
DIMENSIONS ARE IN INCHES

THIS DRAWING IS THE PROPERTY OF NORDYNE
ENGINEERING. ALL USE IS FORBIDDEN EXCEPT
ON ITS WRITTEN CONSENT

AUTH. NO. DATE:

TOLERANCE UNLESS OTHERWISE
SPECIFIED FOR HOLE DIAMETERS
UP TO .250 \pm .005, 250-1.000 \pm .010,
OVER 1.000 \pm .015

TITLE:
**UDXC GENERAL
ARRANGEMENT DRAWING**

ENGINEERING: DATE:

TOLERANCE UNLESS OTHERWISE
SPECIFIED FOR LINEAR DIMENSIONS
AND SQUARENESS IS \pm .04

PART(S) MUST COMPLY WITH ENGINEERING
REQUIREMENT(S) DRAWING NO.
D303448 REV.

DRAFTER: DATE:
IJB 11/21/2023

TOLERANCE UNLESS OTHERWISE
SPECIFIED FOR ANGLE IS $\pm 1.5^\circ$

SIZE: **B** Wt: SHEET: 2 OF 2