

## DUCT FLANGE KIT INSTALLATION FOR BLOWER-TYPE GAS-FIRED UNIT HEATERS

### OPTION CD9 FOR MODELS UBX, UBXC, AND UBZ

- This duct flange option is designed for connecting blower-type unit heaters to warm air ductwork.
- Refer to the installation manual provided with the heater for important safety information.
- Ensure that all components listed in [Table 1](#) are available before beginning installation.
- Refer to [Table 2](#) for dimensions of the duct flange assembly.

**Table 1. Kit Components**

| Component                             | Unit Size (MBTUh)       |             |             |               |             |               |
|---------------------------------------|-------------------------|-------------|-------------|---------------|-------------|---------------|
|                                       | 30, 45                  | 60, 75      | 100, 125    | 150, 175, 200 | 225, 250    | 300, 350, 400 |
|                                       | Kit PN                  |             |             |               |             |               |
|                                       | 1036350                 | 1036351     | 1036352     | 1036353       | 1036354     | 1036355       |
|                                       | Component PN (Quantity) |             |             |               |             |               |
| Duct flange, top/bottom               | 1034655 (2)             | 1034655 (2) | 1034655 (2) | 1034656 (2)   | 1034656 (2) | 1034656 (2)   |
| Duct flange, side                     | 1034657 (2)             | 1034658 (2) | 1034659 (2) | 1034660 (2)   | 1034661 (2) | 1034662 (2)   |
| Screw, duct flange                    | 11813 (AR)              |             |             |               |             |               |
| Screw, #10, sheet metal, self-tapping | 37661 (AR)              |             |             |               |             |               |

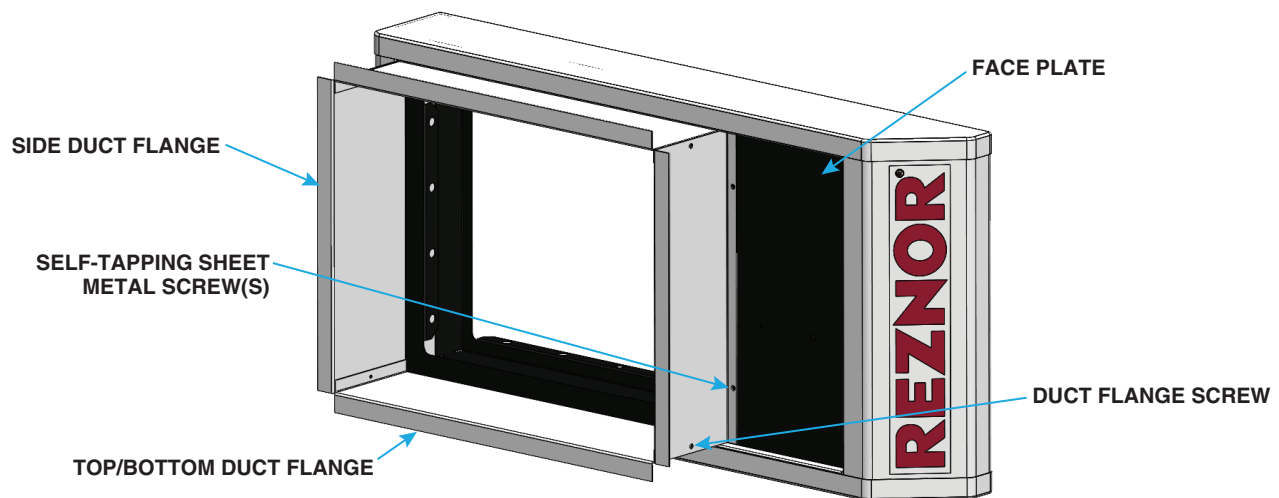
NOTE: AR = as required.

**Table 2. Duct Flange Dimensions**

| Dimension | Unit Size (MBTUh) |              |              |               |              |               |
|-----------|-------------------|--------------|--------------|---------------|--------------|---------------|
|           | 30, 45            | 60, 75       | 100, 125     | 150, 175, 200 | 225, 250     | 300, 350, 400 |
|           | Inches (mm)       |              |              |               |              |               |
| Width     | 17-1/8 (435)      |              |              | 26-7/16 (672) |              |               |
| Height    | 13-3/8 (339)      | 16-3/8 (415) | 24-3/8 (618) | 19-1/2 (496)  | 25-1/2 (648) | 33-1/2 (852)  |

### INSTALLATION

Install the duct flange kit (see [Figure 1](#)) as follows:



**Figure 1. Face Plate Assembly with Duct Flange Assembly (Typical)**

## INSTALLATION—CONTINUED

1. If heater is installed, turn OFF gas and electric power. Allow time for louvers to cool before proceeding.
2. Remove each horizontal louver by pushing louver toward spring to release louver.

---

**NOTE: The plastic horizontal red stripe logo on the face plate needs to be removed and discarded before installing the duct flange.**

---

3. Pry off red stripe logo from face plate using flat-head screwdriver.

---

**NOTE: For the screws that secure the face plate and for the duct flange and self-tapping screws, the quantity varies depending on unit size.**

---

4. Remove screws that secure face plate assembly to front of unit and remove face plate assembly.
5. Remove screws that secure face plate to face plate assembly and remove face plate.
6. Slide top/bottom and side duct flanges into face plate assembly.
7. Install face plate in face plate assembly and secure face plate using screws removed in step 5.
8. Join top/bottom and side duct flanges using duct flange screws.
9. Install self-tapping sheet metal screw(s) to secure duct flange assembly to face plate.
10. Install face plate assembly and secure to front of unit using screws removed in step 4.
11. Turn ON gas and electric power.
12. Light heater in accordance with lighting instructions and check for proper operation.

