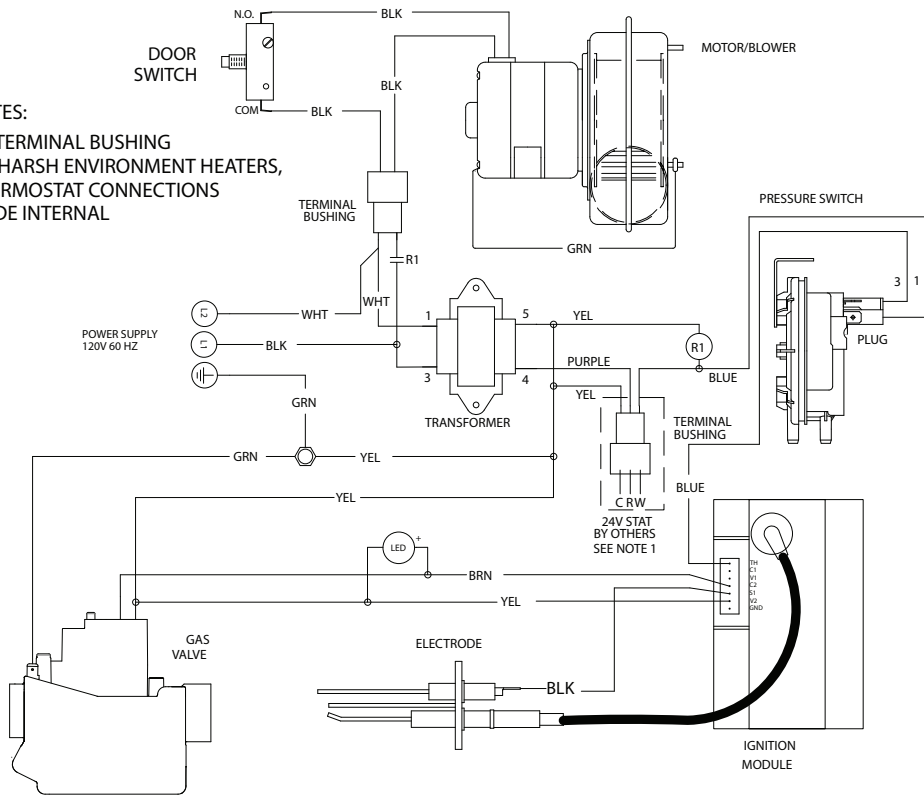


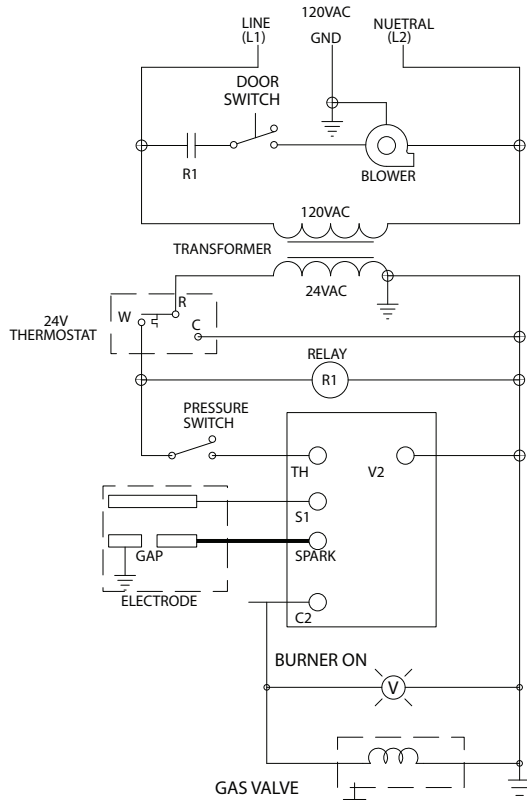
MODEL VZH

NOTES:

NO TERMINAL BUSHING ON HARSH ENVIRONMENT HEATERS, THERMOSTAT CONNECTIONS MADE INTERNAL



INTERNAL WIRING



LADDER DIAGRAM