

VERTICAL LOUVER KIT INSTALLATION FOR UNIT HEATERS

OPTION CD1 FOR GAS-FIRED MODELS UBX, UBXC, UBZ, UDX, UDXC, UDZ, AND UEZ AND HYDRONIC MODEL UWS

- Vertical louvers are designed to direct discharge air to provide a wider throw pattern.
- Refer to the installation manual provided with the heater for important safety information.
- Ensure that all components listed in [Table 1](#), [Table 2](#), or [Table 3](#) are available before beginning installation.

Table 1. Kit Components (Models UBX, UBXC, UBZ, UDX, UDXC, and UDZ)

Component	Unit Size (MBTUh)					
	30, 45	60, 75	100, 125	150, 175, 200	225, 250	300, 350, 400
	Kit PN					
	1036298	1036299	1036300	1036301	1036302	1036303
Component PN (Quantity)						
Frame, louver	1028413 (1)	1028433 (1)	1028443 (1)	1033695 (1)	1033715 (1)	1033728 (1)
Louver	1028418 (5)	1028434 (5)	1028441 (5)	1033904 (8)	1033961 (8)	1033730 (8)
Spring, compression	195046 (5)			195046 (8)		

Table 2. Kit Components (Model UEZ)

Component	Unit Size (MBTUh)				
	55	85	110	130, 180	260, 310
	Kit PN				
	1041266	1041267	1041268	1036304	1036303
Component PN (Quantity)					
Frame, louver	1036666 (1)	1036668 (1)	1036670 (1)	1033902 (1)	1033728 (1)
Louver	1036667 (6)	1036669 (6)	1036671 (7)	1033904 (8)	1033730 (8)
Spring, compression	195046 (6)	195046 (6)	195046 (7)	195046 (8)	

Table 3. Kit Components (Model UWS)

Component	Unit Size (MBTUh)							
	10/15	15/21, 22/31	32/45	44/62	62/77	83/104	110/137	159/191
	Kit PN							
	1047171	1047172	1047173	1047174	1047175	1047176	1047177	1047178
Component PN (Quantity)*								
Louver frame bottom	1047013	1047022	1047041	1047004	1047050	1047055	1047063	1047031
Louver frame left panel	1047014	1047023	1047042	1047005	1047051	1047056	1047064	1047032
Louver frame right panel	1047015	1047024	1047043	1047006	1047052	1047057	1047065	1047033
Louver frame top panel	1047016	1047025	1047044	1047007	1047053	1047058	1047066	1047034
Louver	1047017 (4)	1047026 (5)	1047045 (5)	1047008 (7)	1047054 (7)	1047054 (8)	1047067 (9)	1047035 (11)
Spring, compression	195046 (4)	195046 (5)		195046 (7)		195046 (8)	195046 (9)	195046 (11)
Screw, sheet metal, 8-18 x 3/8	195638 (20)						195638 (24)	

*Quantity is one (1) unless otherwise indicated.

DO NOT DESTROY. PLEASE READ CAREFULLY. KEEP IN A SAFE PLACE FOR FUTURE REFERENCE.

INSTALLATION

Install the vertical louver kit as follows:

1. If heater is installed, turn OFF gas and electric power for gas-fired unit heater or hot water and electric power for hydronic unit heater. Allow time for horizontal louvers to cool before proceeding.
2. For gas-fired unit heater, remove face plate assembly (see **Figure 1**):
 - a. Remove each horizontal louver by pushing louver toward spring to release louver.
 - b. Loosen screwlock, open access door, disconnect door strap, and remove door.
 - c. Remove and save two screws next to access door slots from back of face plate.
 - d. To access remaining screws that secure face plate, remove each horizontal louver. Push louver toward spring to compress spring and release louver. Remove and save each louver and spring.
 - e. Remove and save screws that secure face plate to unit and remove face plate assembly.

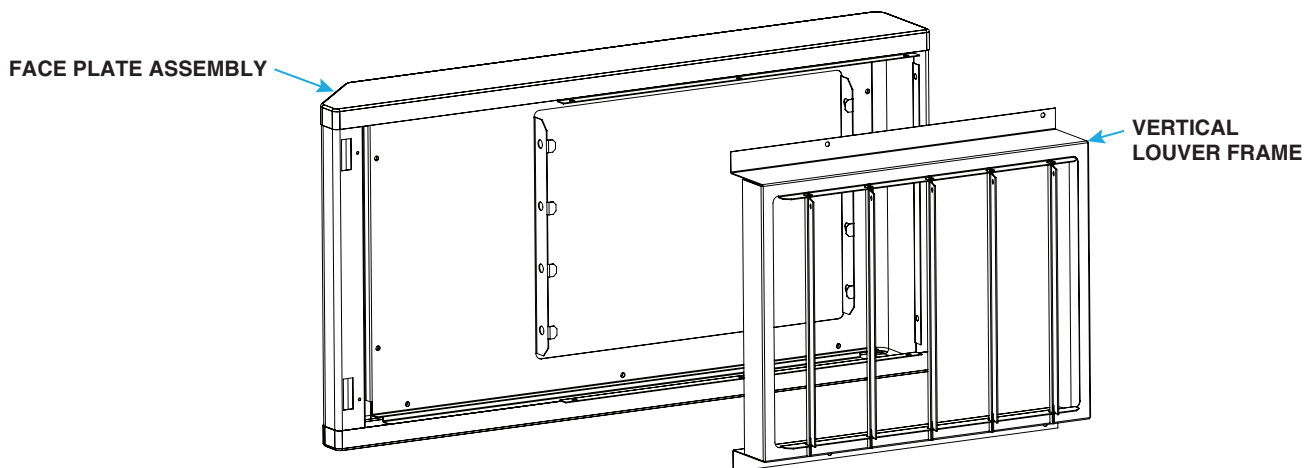


Figure 1. Typical Gas-Fired Unit Heater Face Plate Assembly (with Vertical Louver Frame Shown)

3. Install vertical louver frame:
 - a. For gas-fired unit heater (see **Figure 1**):
 - (1) In face plate opening for louver frame, remove and save screws from face plate.
 - (2) Position louver frame in face plate so that holes align and secure frame through face plate to face plate assembly using existing screws.
 - (3) Install face plate assembly and secure to front of unit using existing screws.
 - (4) Re-install existing two screws in back of face plate next to slots for access door.
 - (5) Place access door tabs in slots, reconnect door strap, close door, and tighten screwlock.
 - b. For hydronic unit heater (see **Figure 2**):
 - (1) Assemble louver frame top, bottom, and side panels, align holes, and secure panels together using screws from kit.
 - (2) Position frame against recessed black face plate on unit.
 - (3) Align holes on inside of frame top, bottom, and sides and secure frame to unit using screws from kit.

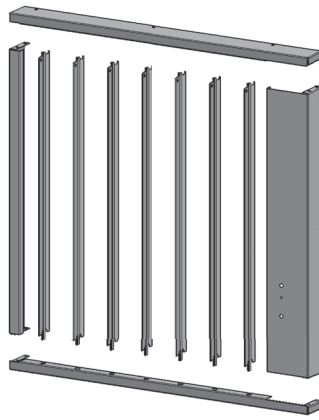


Figure 2. Typical Hydronic Unit Heater Vertical Louver Frame with Louvers

NOTE: Before installing the louvers, note the louver curve and determine how the louvers should be positioned to provide the optimal throw pattern. Depending on where the heater is installed and on the desired airflow direction, the louvers may be installed with their curves all in the same direction (either way) or the right half one way and the left the other.

5. Install vertical louvers in louver frame:
 - a. On notched end of louver, slide compression spring over tab.

NOTE: Depending on the desired throw pattern, the end of the louver with the spring can go either into the frame top or bottom.

- b. With wider louver blade facing in toward heat exchanger, push tab with compression spring into hole in top or bottom louver frame (see [Figure 3](#))—spring compresses. Insert tab on other end of louver into opposite louver frame. For left airflow, compress spring into top louver frame. For right airflow, compress spring into bottom louver frame.
 - c. Install all remaining louvers in accordance with steps 5a and 5b.

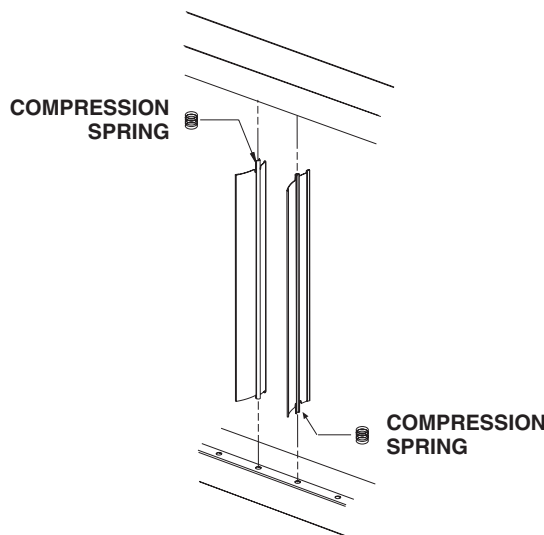


Figure 3. Louver Installation

6. For gas-fired unit heater, install horizontal louvers removed in step 2.
7. For hydronic unit heater, position H₂O logo in three holes in right side panel of louver frame and snap into place.

INSTALLATION—CONTINUED

⚠ WARNING ⚠

To avoid burns, adjust louvers while heater is not in operation. If louvers must be adjusted while heater is operating, wear protective gloves.

8. Adjust all louvers to produce desired throw pattern.
9. Restore system to service:
 - a. For gas-fired unit heater, turn ON gas and electric power. For hydronic unit heater, turn ON hot water and electric power.
 - b. Check for proper operation.

