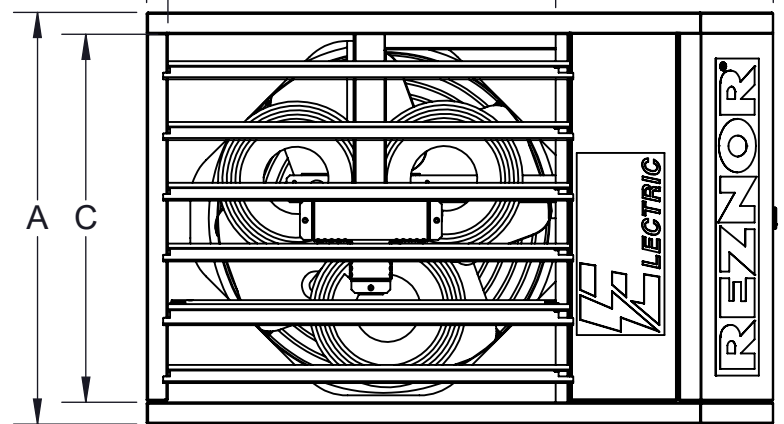
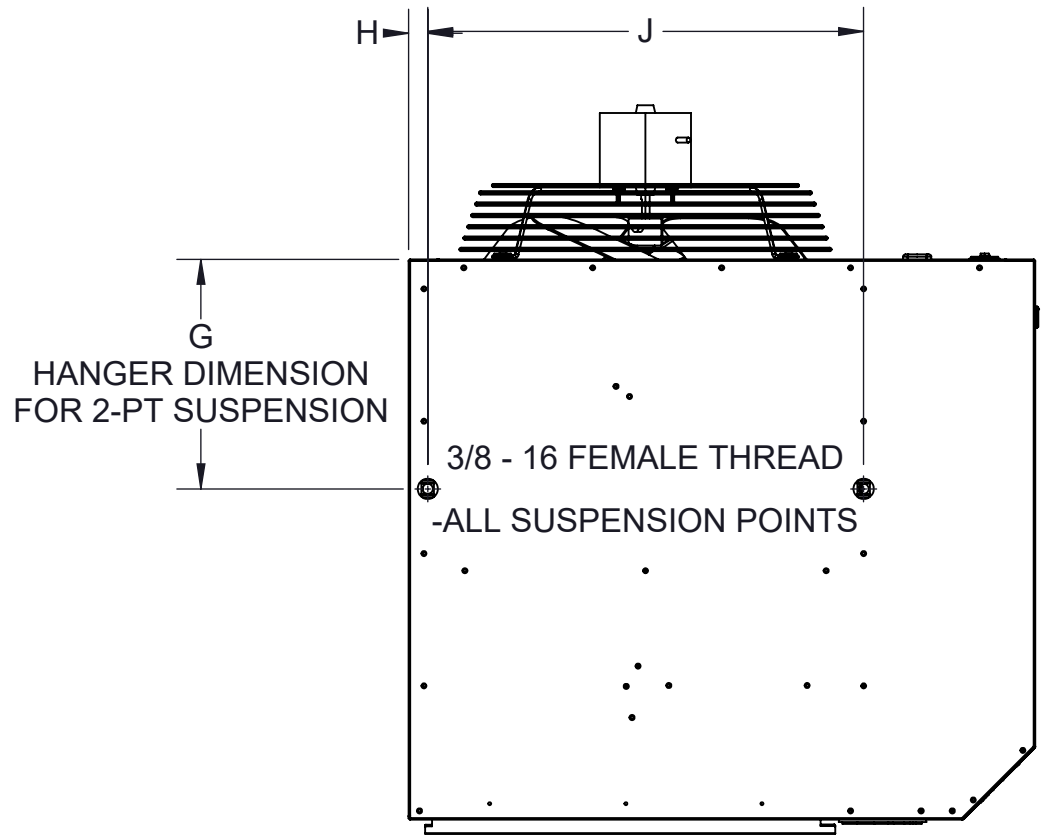
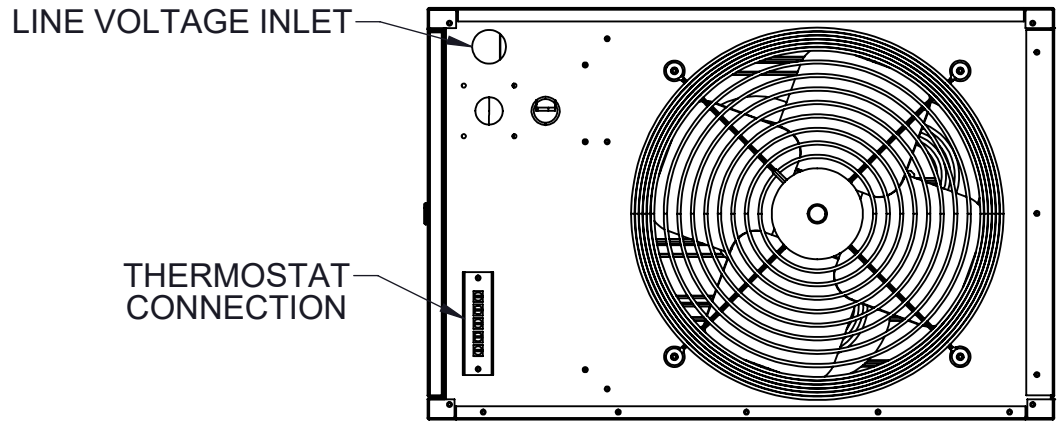


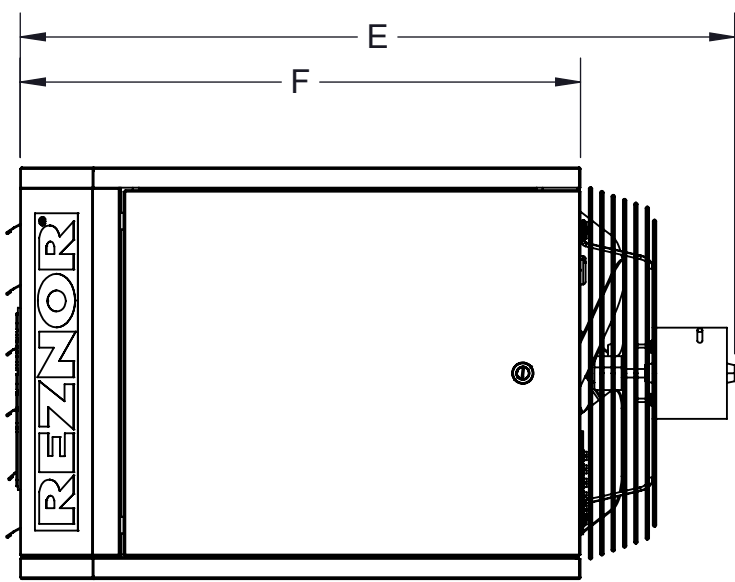
1	2	3	4	5	6	7	8			
UNIT SIZE	A	B	C	D	E	F	G	H	J	PART NUMBER SHOWN IS: D303438
	INCHES ($\pm 1/16$) (mm (± 2))									
CAB 1 3kW - 10 kW	15-1/4	23-11/32	13-5/8	14-11/32	27-31/32	20-7/8	8-9/16	25/32	16-5/32	
CAB 2 15kW - 30 kW	21-1/8	28-5/32	19-1/2	19-11/32	33-13/32	24-3/4	10-9/16	25/32	21-7/32	



FRONT VIEW



REAR VIEW



RIGHT SIDE VIEW
(CONTROL PANEL)

A	UPDATED VIEWS WITH LOGO	12/19/2023	IJB		506600
REV.	REVISION RECORD	DATE	BY	ENGR.	ECM

	THIRD ANGLE PROJECTION			8000 PHOENIX PKWY O'FALLON, MO 63368
	UNLESS OTHERWISE SPECIFIED DIMENSIONS ARE IN INCHES		THIS DRAWING IS THE PROPERTY OF NORDYNE ENGINEERING. ALL USE IS FORBIDDEN EXCEPT ON ITS WRITTEN CONSENT	
AUTH. NO.	DATE:	TOLERANCE UNLESS OTHERWISE SPECIFIED FOR HOLE DIAMETERS UP TO .250 \pm .005, 250-1.000 \pm .010, OVER 1.000 \pm .015	TITLE: EUH CABINET DIMENSIONAL DRAWING	
ENGINEERING:	DATE:	TOLERANCE UNLESS OTHERWISE SPECIFIED FOR LINEAR DIMENSIONS AND SQUARENESS IS \pm .04	PART(S) MUST COMPLY WITH ENGINEERING REQUIREMENT(S)	DRAWING NO. D303438
DRAFTER:	DATE:	TOLERANCE UNLESS OTHERWISE SPECIFIED FOR ANGLE IS $\pm 1.5^\circ$	SIZE: B Wt:	REV. A
	IJB	04/21/2023	SHEET: 1 OF 1	