

HEAT EXCHANGER GASKET KIT INSTALLATION FOR GAS-FIRED UNIT HEATERS

MODELS UBX, UBXC, UBZ, UDX, UDXC, AND UDZ

- To prevent damage during shipping or storage, gasket kits for replacement heat exchangers are shipped in a parts bag.
- Gasket kits should be attached to the replacement heat exchanger at the time of installation.
- All gaskets are self-adhesive and are cut to size.
- Refer to the installation manual provided with the heater for important safety information.
- Ensure that all components listed in **Table 1** are available before beginning installation.

Table 1. Kit Components

Item No.*	Component	Size	Unit Size (MBTUh)					
			30, 45	60, 75	100, 125	150, 175, 200	225, 250	300, 350, 400
			Kit PN					
			1036360	1036361	1036362	201670	201671	201672
Component PN (Quantity)								
1	Top/bottom header panel gasket	5/8 × 21-3/8	1033925 (2)	1033925 (2)	1033925 (2)	—		
		1 × 35-23/64	—			194533 (2)	194533 (2)	194533 (2)
2	Front/rear heater panel gasket	5/8 × 12-5/8	1033922 (2)	—		—		
		5/8 × 15-5/8	—	1033923 (2)	—		—	
		5/8 × 23-5/8	—		1033924 (2)	—		
		1 × 20-3/16	—			195986 (2)	—	
		1 × 26-3/16	—			—	195987 (2)	—
1 × 34-3/16	—			—	—	195988 (2)		
3	Tube support gasket	1 × 89-7/32	—		201424 (1)	—		
		1 × 95-7/32	—		—	201425 (1)	—	
		1 × 103-7/32	—		—	—	201426 (1)	

*See **Figure 1**.

⚠ DANGER ⚠

- Improper installation could result in death, serious injury, and/or property damage. The qualified agency performing this work assumes responsibility for this installation.
- Proper installation and sealing of the heat exchanger to the heater is necessary for reliable and safe operation. Failure to properly install could result in property damage, personal injury, and/or death.
- The replacement heat exchanger should be installed by a qualified service agency in compliance with all codes and requirements of authorities having jurisdiction.

DO NOT DESTROY. PLEASE READ CAREFULLY. KEEP IN A SAFE PLACE FOR FUTURE REFERENCE.

INSTALLATION

NOTE: Unit sizes 30–125 require the installation of four (4) gasket strips. Unit sizes 150–400 require the installation of five (5) gasket strips.

Install the heat exchanger gasket kit as follows (item numbers refer to [Figure 1](#)):

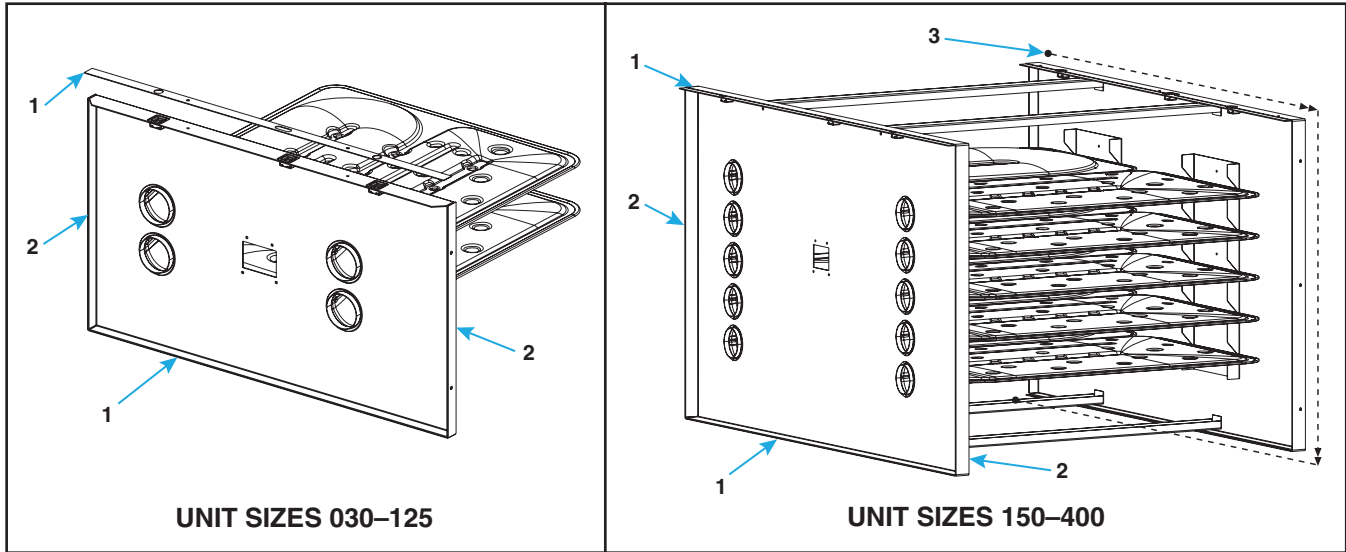


Figure 1. Heat Exchanger Gasket Locations (Refer to [Table 1](#))

1. Install header panel gaskets:

NOTE: The header panel gaskets are sealing gaskets and must cover the full length of the surface.

- a. Position top/bottom (1) and front/rear (2) gaskets on outer edges of header panel and align holes—ignore large holes in bottom gasket.
- b. To apply gasket(s), start at end and gradually peel backing from gasket as it is adhered. Repeat with each strip.

2. Install tube support gasket (unit sizes 150–400):

NOTE: The tube support gasket is required to prevent vibration but is not a sealing gasket.

- a. Position tube support gasket (3) across top, rear, and bottom of tube support.
 - b. To apply gasket, start at end and gradually peel backing from gasket as it is adhered.
3. Complete replacement heat exchanger installation (refer to installation manual provided with heater):
- a. Inspect and clean cabinet, burner, and vent system.
 - a. Replace any components that are not structurally sound.
4. When installation of replacement heat exchanger is complete, start up heater (refer to installation manual provided with heater):
- a. Follow instructions on lighting instruction plate to restart heater.
 - b. Check all safety features for proper operation.

