

1

2

3

4

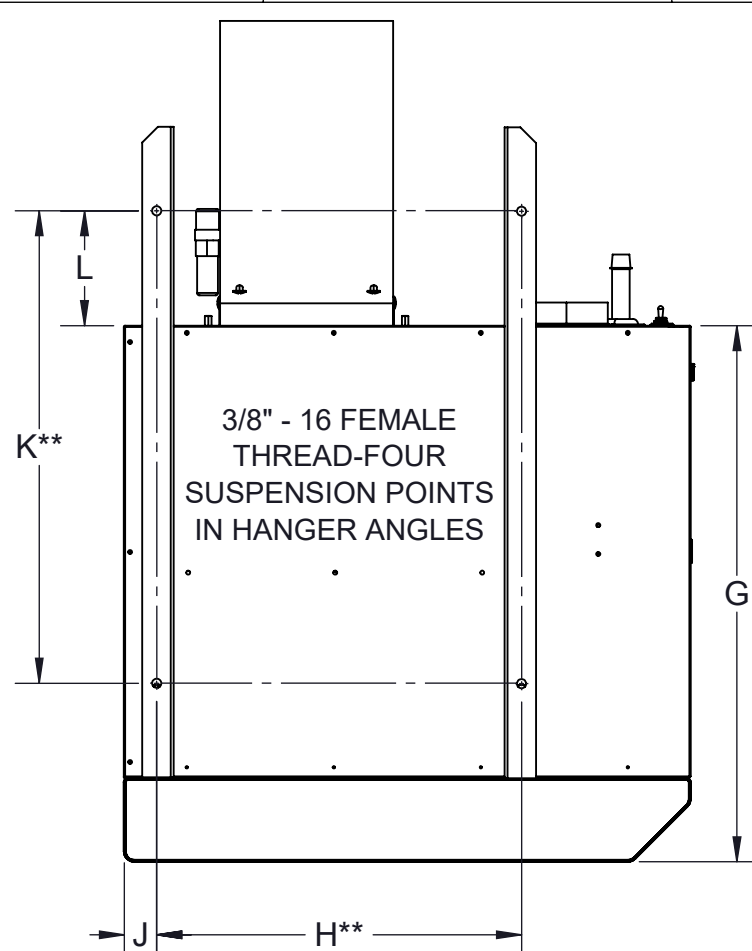
5

6

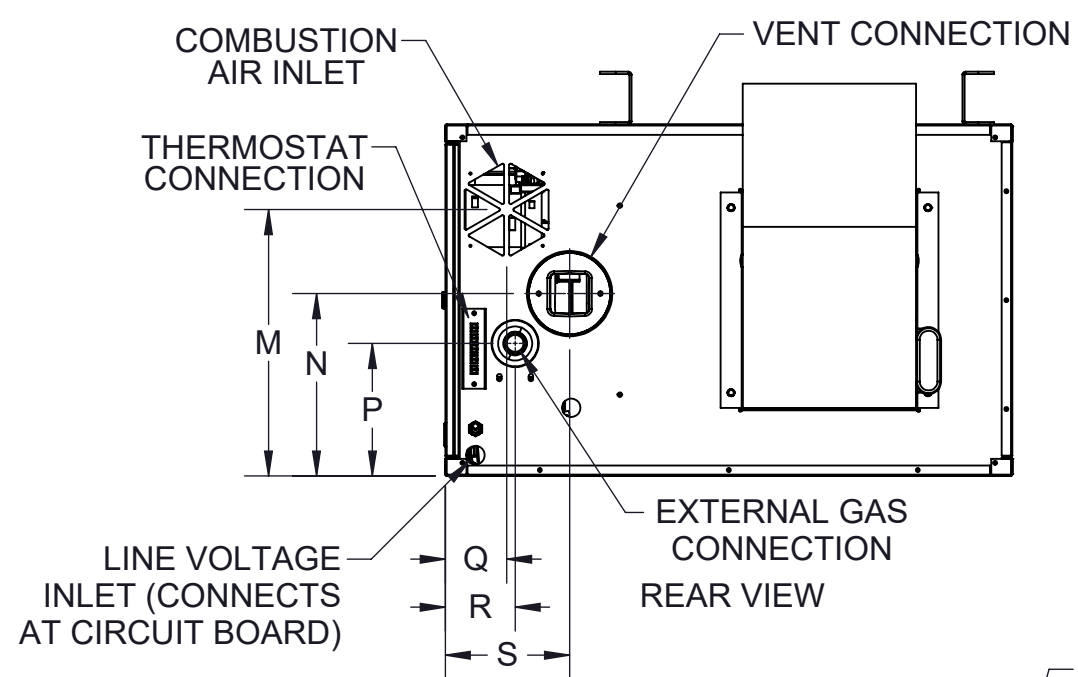
7

8

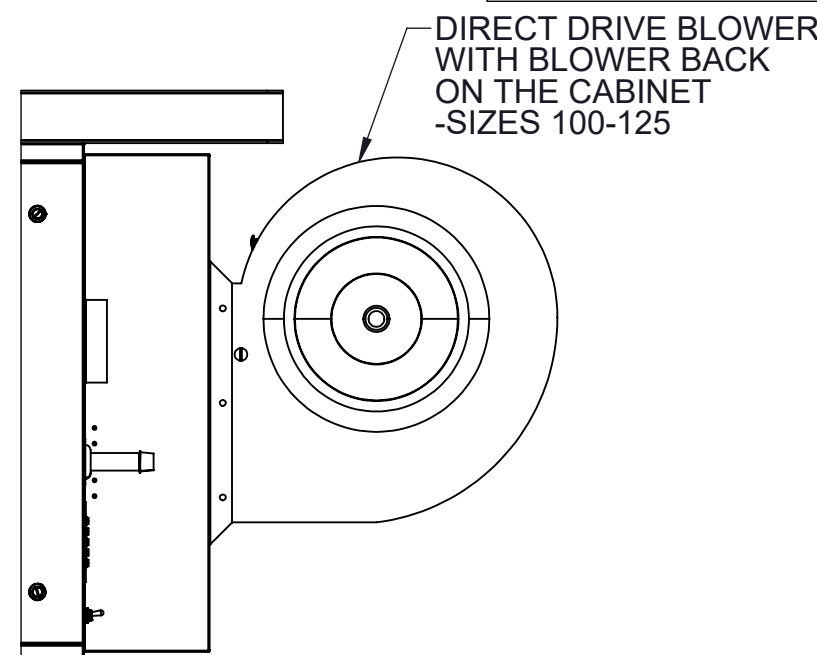
PART NUMBER SHOWN IS:
D303449



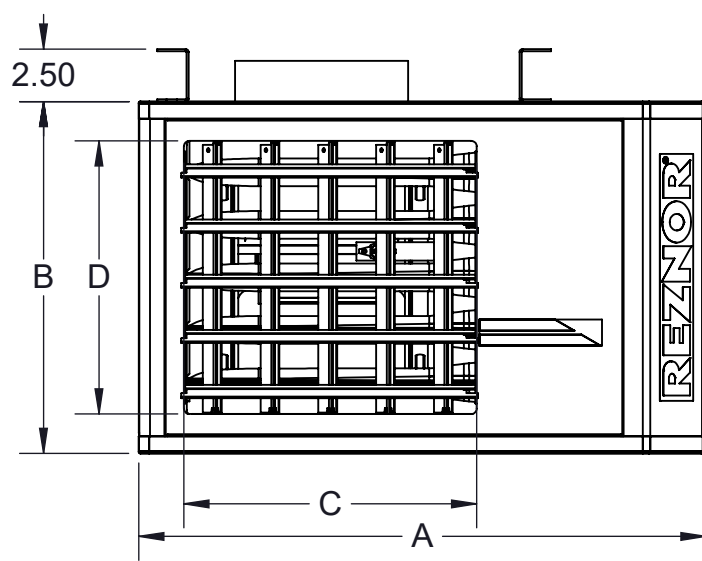
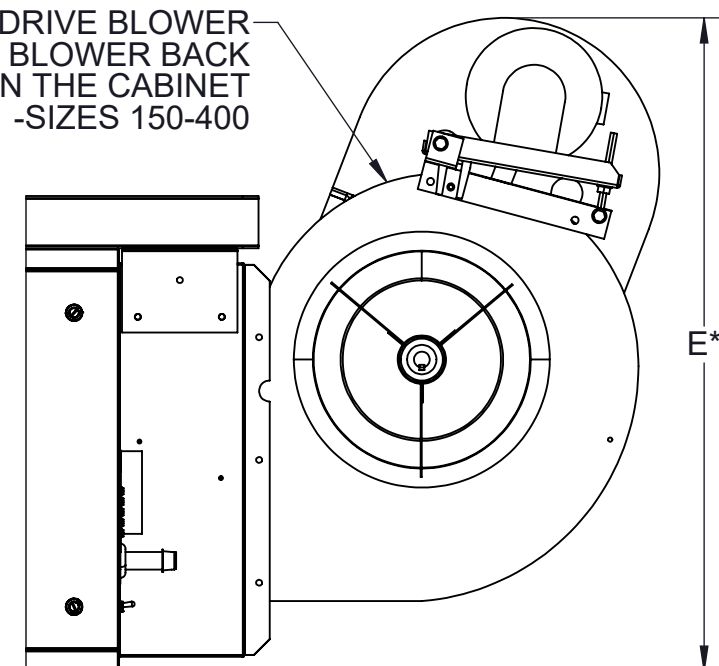
TOP VIEW



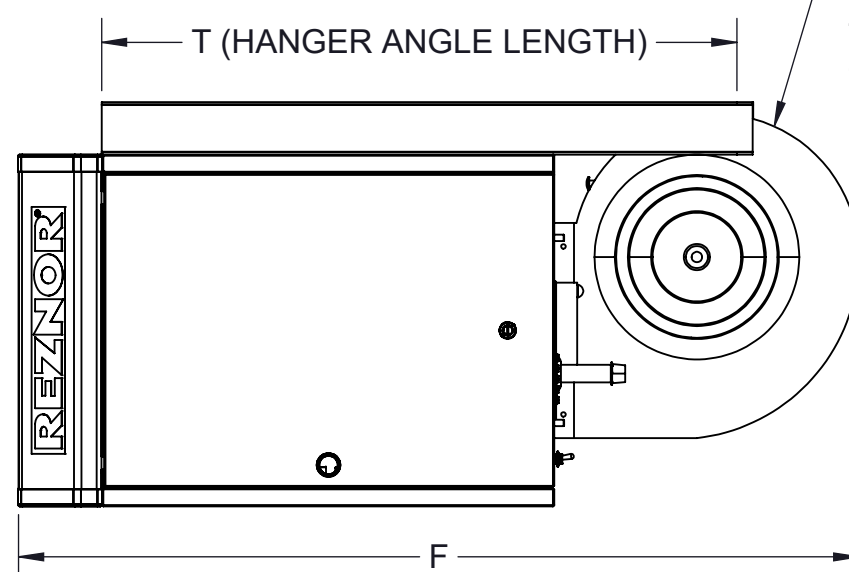
REAR VIEW



BELT DRIVE BLOWER
WITH BLOWER BACK
ON THE CABINET
-SIZES 150-400



FRONT VIEW



RIGHT SIDE VIEW
(ACCESS PANEL)

- NOTES:
- * SIZES 150-400 - DIMENSION E VARIES WITH MOTOR SELECTION AND BELT ADJUSTMENT.
 - ** DIMENSIONS H AND K ARE THE HEATER SUSPENSION POINTS.

		THIRD ANGLE PROJECTION	NORTEK GLOBAL HVAC	8000 PHOENIX PKWY O'FALLON, MO 63368
		UNLESS OTHERWISE SPECIFIED DIMENSIONS ARE IN INCHES		THIS DRAWING IS THE PROPERTY OF NORDYNE ENGINEERING. ALL USE IS FORBIDDEN EXCEPT ON ITS WRITTEN CONSENT
AUTH. NO.	DATE:	TOLERANCE UNLESS OTHERWISE SPECIFIED FOR HOLE DIAMETERS UP TO .250 ± .005, 250-1.000 ± .010, OVER 1.000 ± .015		TITLE: UBXC GENERAL ARRANGEMENT DRAWING
ENGINEERING:	DATE:	TOLERANCE UNLESS OTHERWISE SPECIFIED FOR LINEAR DIMENSIONS AND SQUARENESS IS ± .04		PART(S) MUST COMPLY WITH ENGINEERING REQUIREMENT(S)
DRAFTER:	DATE:	TOLERANCE UNLESS OTHERWISE SPECIFIED FOR ANGLE IS ± 1.5°		DRAWING NO. D303449
IJB	11/21/2023	SIZE: B	Wt:	REV. SHEET: 1 OF 2

REV.	REVISION RECORD	DATE	BY	ENGR.	ECM

1

2

3

4

5

6

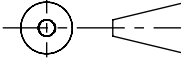

7

8

PART NUMBER SHOWN IS:
D303449

DIMENSIONS - MODELS UBX AND UBZ

UNIT SIZE	A	B	C	D	E*	F	G	H**	J	K**	L	M	N	P	Q	R	S	T	
INCHES (± 1/16) (mm (± 2))																			
30 / 45	27 (686)	13 3/4 (349)	13 13/16 (351)	10 (254)	17 3/16 (437)	40 3/32 (1018)	25 17/32 (649)	17 3/8 (441)	1 9/16 (40)	22 1/2 (572)	6 15/32 (164)	10 (254)	6 (152)	3 1/2 (89)	2 21/32 (74)	5 31/32 (152)	3 5/16 (84)	31 (787)	
60		16 3/4 (425)		13 (330)	18 11/16 (475)						5 15/32 (139)	12 11/16 (322)	8 11/16 (221)	6 5/16 (160)		3 5/16 (84)	5 29/32 (150)		
75		24 3/4 (629)		21 (533)	24 1/16 (611)						48 1/8 (1222)	8 15/32 (215)	19 5/16 (491)	15 5/16 (389)					9 9/16 (243)
100											47 5/8 (1210)	7 15/32 (190)	13 1/2 (343)	8 1/2 (216)					5 7/16 (138)
125											64 3/4 (1645)	25 11/16 (653)	1 13/32 (36)	24 1/2 (622)					
150 / 175	20 1/8 (511)	23 (584)	16 (406)	30 31/32 (786)	5 29/32 (150)	18 1/16 (459)	13 1/16 (332)	9 (229)											
200	38 3/16 (970)		26 1/8 (664)	22 (559)	37 1/32 (941)	68 1/8 (1730)	27 11/16 (703)	23 1/2 (597)	1 13/32 (36)	22 9/16 (573)	17 1/16 (433)	11 13/16 (300)	4 1/2 (114)	7 5/16 (186)	8 1/2 (216)				
225 / 250			30 (762)	41 7/32 (1047)															
300 / 350 / 400	41 (1041)		34 1/8 (867)	30 (762)	41 7/32 (1047)														

	THIRD ANGLE PROJECTION 	 8000 PHOENIX PKWY O'FALLON, MO 63368
	UNLESS OTHERWISE SPECIFIED DIMENSIONS ARE IN INCHES	THIS DRAWING IS THE PROPERTY OF NORDYNE ENGINEERING. ALL USE IS FORBIDDEN EXCEPT ON ITS WRITTEN CONSENT
AUTH. NO. DATE:	TOLERANCE UNLESS OTHERWISE SPECIFIED FOR HOLE DIAMETERS UP TO .250 ± .005, 250-1.000 ± .010, OVER 1.000 ± .015	TITLE: UBXC GENERAL ARRANGEMENT DRAWING
ENGINEERING: DATE:	TOLERANCE UNLESS OTHERWISE SPECIFIED FOR LINEAR DIMENSIONS AND SQUARENESS IS ± .04	PART(S) MUST COMPLY WITH ENGINEERING REQUIREMENT(S)
DRAFTER: DATE: IJB 11/21/2023	TOLERANCE UNLESS OTHERWISE SPECIFIED FOR ANGLE IS ± 1.5°	DRAWING NO. D303449
		SIZE: B Wt: SHEET: 2 OF 2

A

B

C

D

E