

1

2

3

4

5

6

7

8

PART NUMBER SHOWN IS:  
**D303460**

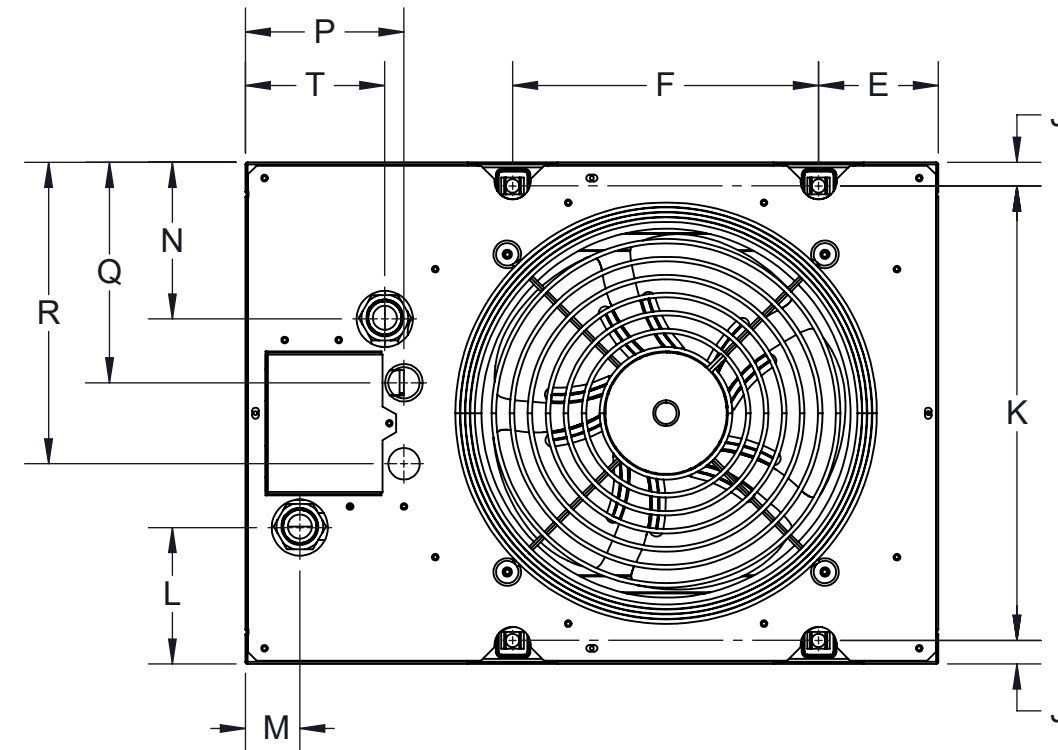
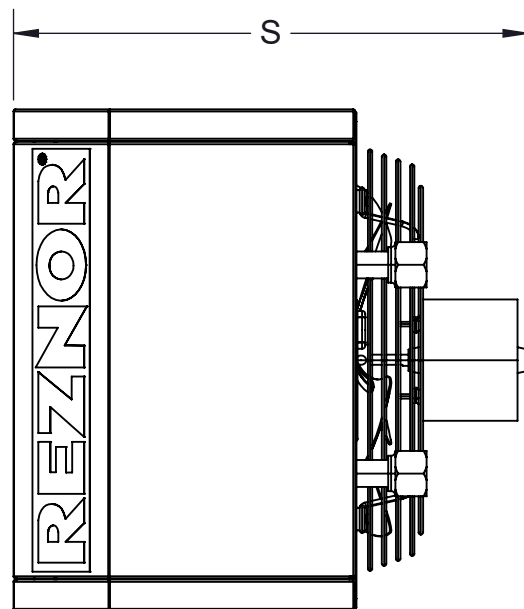
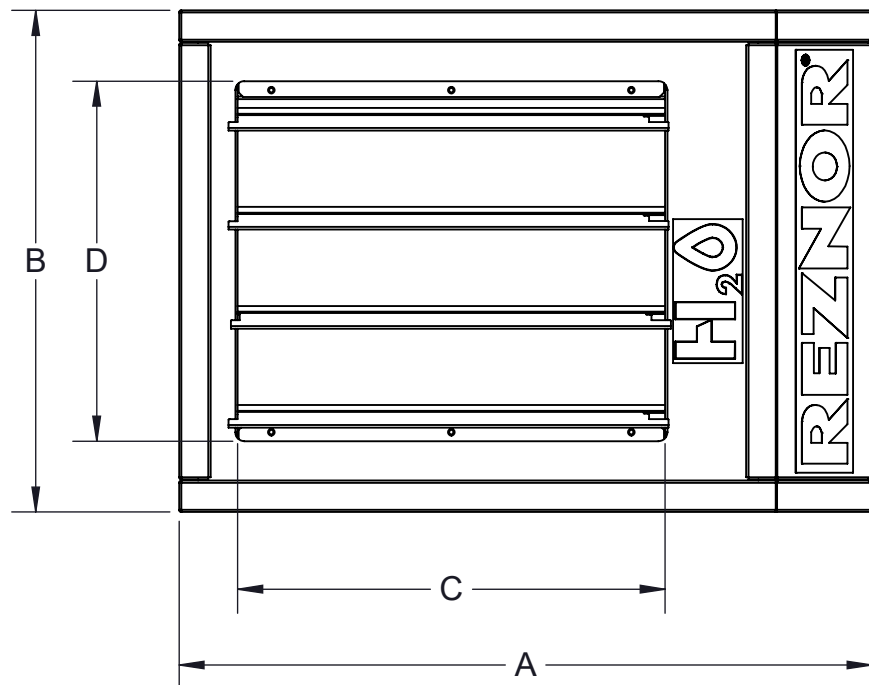
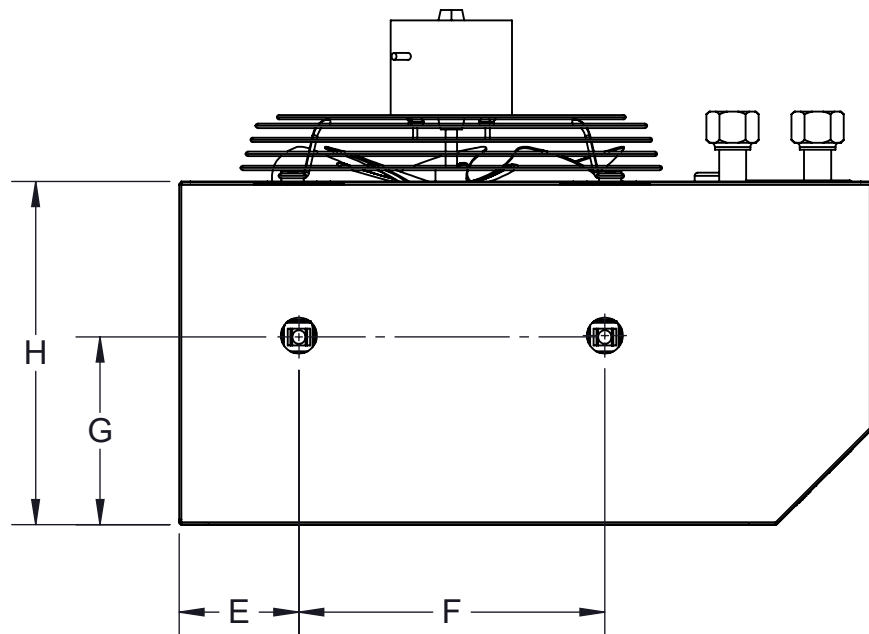
A

B

C

D

E



REV.	REVISION RECORD	DATE	BY	ENGR.	ECM

THIRD ANGLE PROJECTION		<b>NORTEK</b> GLOBAL HVAC		8000 PHOENIX PKWY O'FALLON, MO 63368	
UNLESS OTHERWISE SPECIFIED DIMENSIONS ARE IN INCHES		THIS DRAWING IS THE PROPERTY OF NORDYNE ENGINEERING. ALL USE IS FORBIDDEN EXCEPT ON ITS WRITTEN CONSENT			
TOLERANCE UNLESS OTHERWISE SPECIFIED FOR HOLE DIAMETERS UP TO .250 ± .005, 250-1.000 ± .010, OVER 1.000 ± .015		TITLE: <b>UWS GENERAL ARRANGEMENT DRAWING</b>			
AUTH. NO.	DATE:	TOLERANCE UNLESS OTHERWISE SPECIFIED FOR LINEAR DIMENSIONS AND SQUARENESS IS ± .04		PART(S) MUST COMPLY WITH ENGINEERING REQUIREMENT(S)	DRAWING NO.
ENGINEERING:	DATE:	TOLERANCE UNLESS OTHERWISE SPECIFIED FOR ANGLE IS ± 1.5°		SIZE: <b>B</b> Wt:	<b>D303460</b>
DRAFTER:	DATE:			REVISION:	
IJB	01/25/2024				
				SHEET: 1 OF 2	

1

2

3

4

5

6

7

8

PART NUMBER SHOWN IS:  
**D303460**

**DIMENSIONS - MODELS UWS**

	<b>A</b>	<b>B</b>	<b>C</b>	<b>D</b>	<b>E</b>	<b>F</b>	<b>G</b>	<b>H</b>	<b>J</b>	<b>K</b>	<b>L</b>	<b>M</b>	<b>N</b>	<b>P</b>	<b>Q</b>	<b>R</b>	<b>S</b>	<b>T</b>	
INCHES +/-1/16) (mm +/- 2)																			
<b>10/15</b>	19 1/4	19 15/16	12	10	3 5/16	8 1/2	5 1/4	9 1/2	1/2	12 1/4	3 1/2	1 5/32	4 5/16	4	6 1/8	7 15/16	14	3 1/2	
	489	506	305	254	84	216	133	241	13	311	89	29	110	102	156	202	356	89	
<b>15/21</b>	23 3/4	17 1/16	15	12 7/8	4 1/16	10	5 15/16	9 1/2	3/4	15 5/8	2 5/8	3	8 3/4	5	3 1/2	5 3/4	16 11/16	5 3/8	
	603	433	381	327	103	254	151	241	19	397	67	76	222	127	89	146	424	137	
<b>22/31</b>	23 3/4	17 1/16	15	12 7/8	4 1/16	10	5 15/16	9 1/2	11/16	15 5/8	5 5/8	1 7/8	7 1/16	4 5/8	2 1/4	4 1/2	16 9/16	5	
	603	433	381	327	103	254	151	241	17	397	143	48	179	117	57	114	421	127	
<b>32/45</b>	24 3/4	20 15/16	15	17	4 9/16	11	5 15/16	9 1/2	13/16	9 5/16	3 7/8	1 7/8	6 7/8	4 5/8	11 1/16	13 5/16	18 5/8	1 13/16	
	629	532	381	432	116	279	151	241	21	237	98	48	175	117	281	338	473	46	
<b>44/62</b>	28 3/4	23 7/16	20	20	3 9/16	16	6 1/8	9 1/2	11/16	22	3 15/16	1 7/8	3 7/16	5 1/2	9 1/4	14 1/4	17 5/8	5 1/16	
	730	595	508	508	90	406	156	241	17	559	100	48	87	140	235	362	448	129	
<b>62/77</b>	32 3/4	27 7/16	22	23 7/8	4 9/16	16	8	11 5/8	11/16	26	3 15/16	3 15/16	3 7/16	5 3/4	11 1/4	16 1/4	19 13/16	7 1/16	
	832	697	559	606	116	406	203	295	17	660	100	100	87	146	286	413	503	179	
<b>83/104</b>	32 3/4	27 7/16	24 1/8	24	4 9/16	18	8	11 5/8	11/16	26	3 15/16	1 7/8	4 15/16	5 3/4	11 1/4	16 1/4	19 13/16	5	
	832	697	613	610	116	457	203	295	17	660	100	48	125	146	286	413	503	127	
<b>110/137</b>	38	29 7/16	28	26	4 9/16	22	8	11 5/8	11/16	28	4 15/16	3 1/16	3 15/16	6 1/2	12 1/4	17 1/4	20 5/8	6 1/4	
	965	748	711	660	116	559	203	295	17	711	125	78	100	165	311	438	524	159	
<b>159/191</b>	41 1/2	35 7/16	32	31 13/16	7 9/16	20	8	11 5/8	11/16	34	4 15/16	2 15/16	5 15/16	5 3/4	15 1/4	20 1/4	20 13/16	2 3/4	
	1054	900	813	808	192	508	203	295	17	864	125	75	151	146	387	514	529	70	

THIRD ANGLE PROJECTION 

**NORTEK** GLOBAL HVAC 8000 PHOENIX PKWY O'FALLON, MO 63368

UNLESS OTHERWISE SPECIFIED DIMENSIONS ARE IN INCHES

THIS DRAWING IS THE PROPERTY OF NORDYNE ENGINEERING. ALL USE IS FORBIDDEN EXCEPT ON ITS WRITTEN CONSENT

TOLERANCE UNLESS OTHERWISE SPECIFIED FOR HOLE DIAMETERS UP TO .250 ±.005, 250-1.000 ±.010, OVER 1.000 ±.015

TITLE: **UWS GENERAL ARRANGEMENT DRAWING**

AUTH. NO. DATE:

ENGINEERING: DATE:

DRAFTER: DATE:

TOLERANCE UNLESS OTHERWISE SPECIFIED FOR LINEAR DIMENSIONS AND SQUARENESS IS ±.04

TOLERANCE UNLESS OTHERWISE SPECIFIED FOR ANGLE IS ±1.5°

PART(S) MUST COMPLY WITH ENGINEERING REQUIREMENT(S) DRAWING NO. **D303460** REV. SHEET: 2 OF 2

SIZE: **B** Wt: