

## CEILING SUSPENSION KIT INSTALLATION FOR ELECTRIC AND GAS-FIRED UNIT HEATERS

### OPTION CK22 FOR MODELS EHU, UDX, UDXC, AND UDZ

#### ⚠ DANGER ⚠

Before suspending the heater, ensure that the installation location has sufficient clearances to combustibles and ensure that the supporting structure has sufficient load-carrying capacity to support the weight of the unit. Refer to the installation manual provided with the heater for location requirements, recommended clearances, and unit weights.

**NOTE:** The following assumes that the heater has not been installed.

- The ceiling suspension kit (see [Figure 1](#)) allows the heater to be installed 1 inch from the ceiling without hanger rods. For gas-fired unit heaters, the kit is used only on unit sizes 30–125.
- Refer to the installation manual provided with the heater for important safety information.

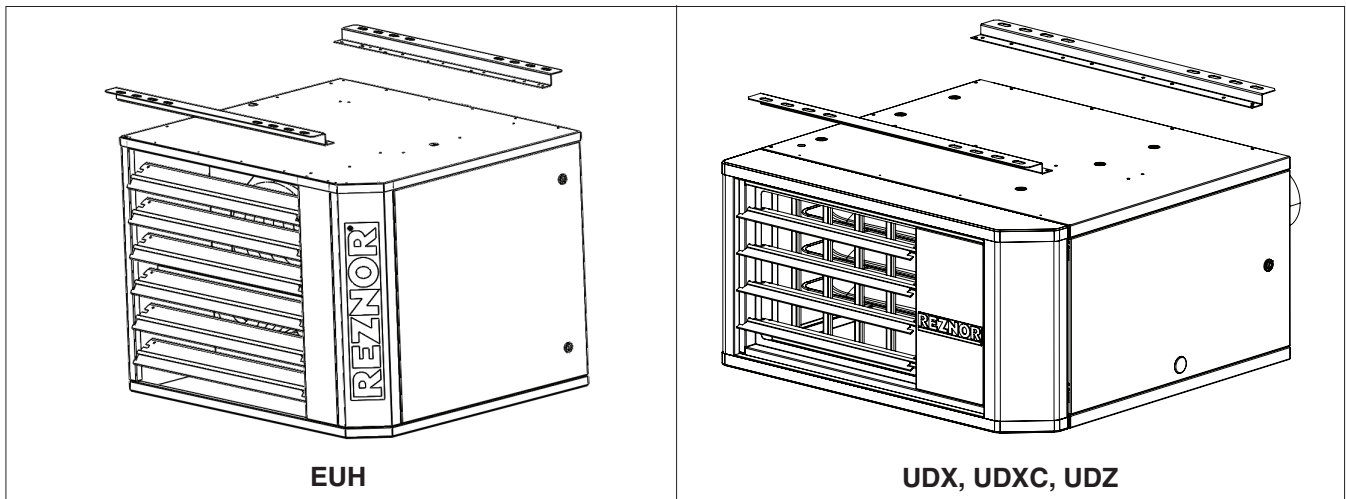


Figure 1. Ceiling Suspension Kit

### KIT COMPONENTS

Ensure that all components listed in [Table 1](#) are available before beginning installation.

Table 1. Kit Components		
Component	Model	
	EHU	UDX, UDXC, UDZ
	Kit PN	
	1042759	1036357
	Component PN (Quantity)	
Ceiling bracket	1042700 (2)	1034211 (2)
Screw, sheet metal	195638 (13)	195638 (10)

**DO NOT DESTROY. PLEASE READ CAREFULLY. KEEP IN A SAFE PLACE FOR FUTURE REFERENCE.**

## INSTALLATION

1. Remove all sheet metal screws that secure front and rear of cabinet top.
2. Align ceiling brackets with screw holes in front and rear of cabinet top and secure brackets to heater using screws from kit.
3. While supporting heater bottom with plywood or other suitable material, lift heater into place using suitable lift or assistance and secure ceiling brackets to ceiling using field-supplied hardware.

