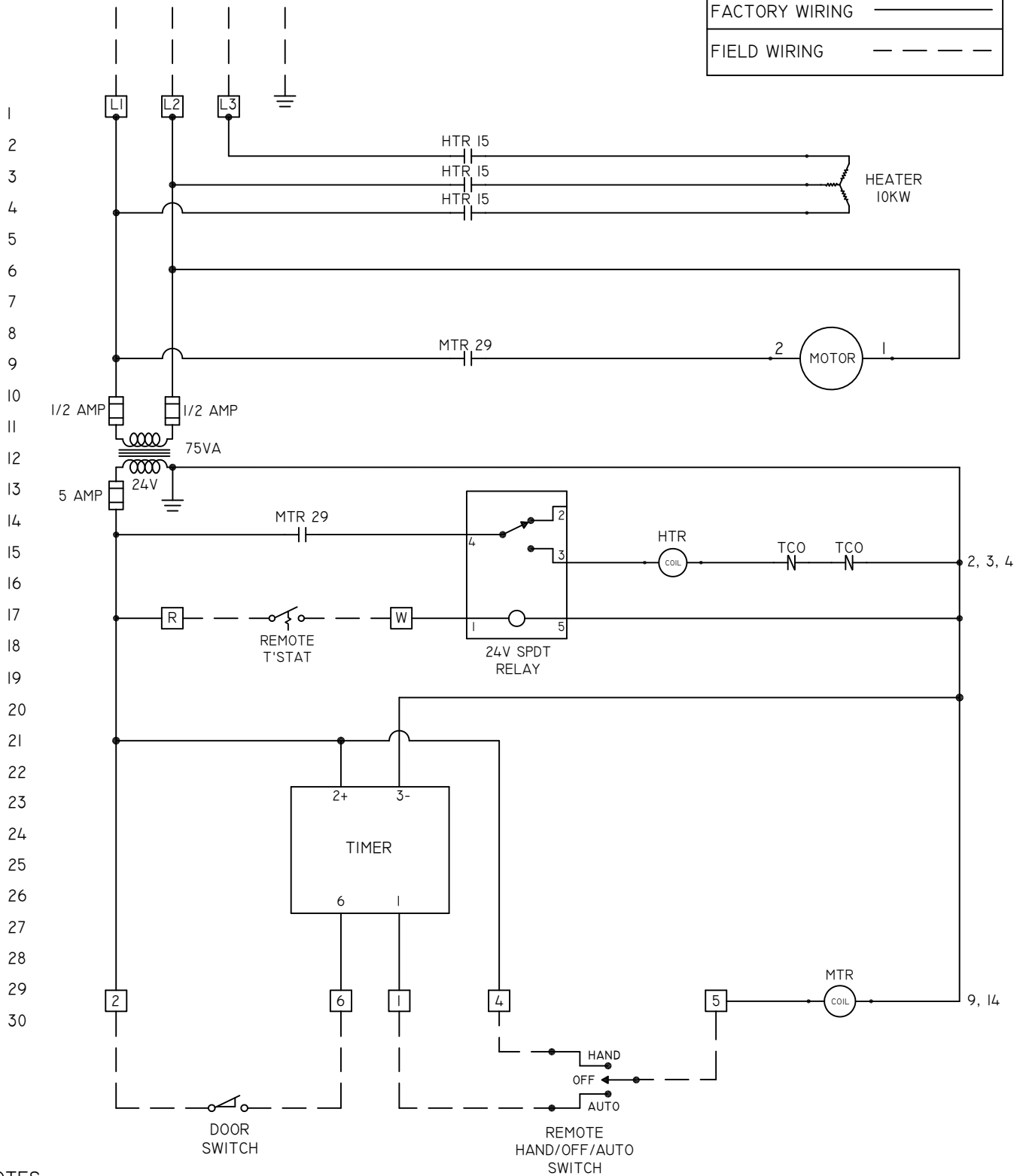


MIN. AMP DRAW: 14.0A
 MIN. CKT. AMPACITY: 17.5A
 MOP: 20A
 480V/3Ø/60HZ

CAUTION
 ELECTRIC SHOCK HAZARD

FACTORY WIRING	—————
FIELD WIRING	- - - - -



NOTES

1. INSTALLER MUST PROVIDE DISCONNECTING MEANS AND BRANCH CIRCUIT PROTECTION.
2. WIRE UNIT IN ACCORDANCE WITH LOCAL CODES OR THE N.E.C.
3. DISCONNECT UNIT BEFORE SERVICING.
4. UNIT TO BE SERVICED BY QUALIFIED PERSONNEL ONLY.

REZNOR®

REV 0	DATE 09/23/24	ENGR E.M.W.	PAGE 1 OF 1
DWG. NO. HAC-E-1-1-480T24F 0202			