

HEAT EXCHANGER VENTER RESTRICTOR PLATE KIT INSTALLATION FOR DUCT FURNACES

MODELS SC, HSC, AND SCA (SERIES 6)

- These venter restrictor replacement kits are for series 6 SC, HSC, and SCA model units **WITH** stainless steel heat exchangers that **DO NOT** have gas control option AG39, AG40, AG41 or AG42.
- Check the furnace rating plate and wiring diagram to determine if the replacement venter restrictor is required. If the model number on the rating plate is not prefixed with an E or an S (e.g., SC400 instead of ESC400 or SSC400), the unit has an aluminized heat exchanger. If the serial number on the rating plate has the suffix MP1, MP2, MP3 or MP4, the unit is equipped with gas control option AG39, AG40, AG41 or AG42.

NOTES:

- **The venter restrictor plate adjusts the size of the outlet in the flue duct assembly and must be changed when replacing an aluminized heat exchanger with a a stainless steel heat exchanger on certain sizes of series 6 model SC, HSC, and SCA units.**
- **These replacement kits *ARE NOT* used on unit sizes 100, 150, 200, and 250.**
- Refer to the installation manual provided with the heater for important safety information.
- Ensure that all components listed in [Table 1](#) are available before beginning installation.

Table 1. Heat Exchanger Venter Restrictor Plate and Gasket Kit Components

Component	Unit Size					
	125	175	225	300	350	400
	Orifice Diameter (Inches)*					
	1-3/4	2-1/8	2-3/8	2-3/4	3	3-9/16
	PN					
Venter restrictor plate	43254	43257	43258	68392	125862	125863
Venter gasket	44695					

*As a precaution, verify the diameter of the orifice before installing. If there is a discrepancy, do not install and contact your Distributor.

INSTALLATION

⚠ DANGER ⚠

- **The replacement heat exchanger should be installed by a qualified service agency in compliance with all codes and requirements of authorities having jurisdiction.**
- **Improper installation could result in death, serious injury, and/or property damage. The qualified agency performing this work assumes responsibility for this installation.**
- **Installation of a replacement heat exchanger requires new heat exchanger gaskets.**

Install the venter restrictor replacement kit as follows:

1. Turn OFF gas and electric power.
2. Remove existing venter restrictor plate and gasket:
 - a. Remove hardware that secures venter motor and wheel assembly to venter housing and carefully remove assembly from housing.
 - b. Remove three screws inside venter housing that secure housing to flue duct assembly and remove housing, venter gasket, and venter restrictor plate.
 - c. Discard venter restrictor plate and gasket.

INSTALLATION—CONTINUED

3. Install replacement venter restrictor plate and gasket:
 - a. Align replacement venter restrictor plate, venter gasket, and venter housing as shown in **Figure 1** and secure plate, gasket, and housing to flue duct assembly using three screws removed in step 2b.
 - b. Install venter motor and wheel assembly in venter housing as shown in **Figure 1** and secure assembly to housing using hardware removed in step 2a.

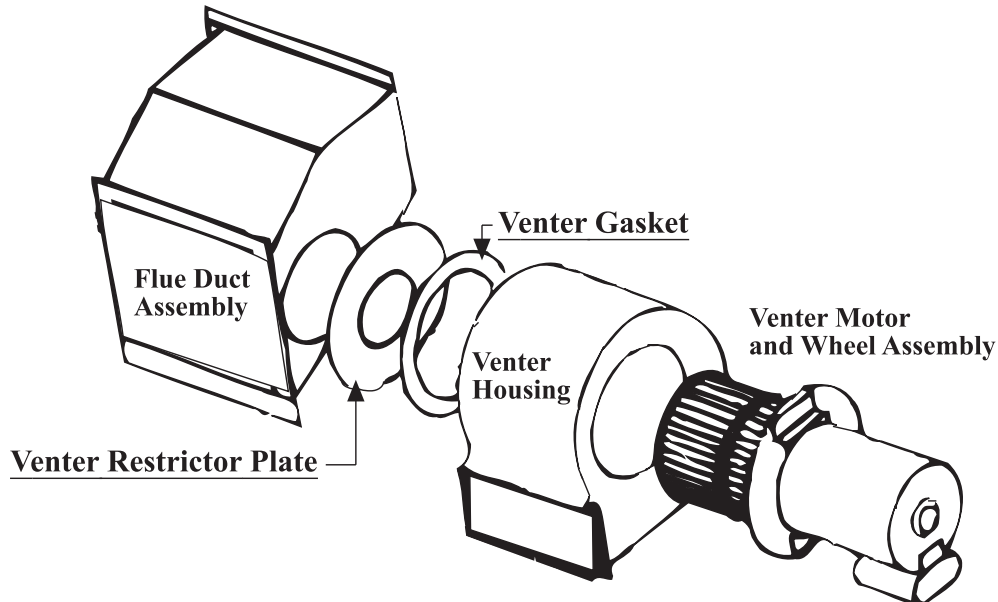


Figure 1. Venter Restrictor Plate and Gasket Location

4. **Complete replacement heat exchanger installation (refer to installation manual provided with heater):**
 - a. Inspect and clean cabinet, burner, and venter.
 - a. Replace any components that are not structurally sound.
5. **When installation of replacement heat exchanger is complete, start up heater (refer to installation manual provided with heater):**
 - a. Follow instructions on lighting instruction plate to restart heater.
 - b. CHECK ALL SAFETY FEATURES FOR PROPER OPERATION.

