

## RELAY REPLACEMENT KIT (PN 262375) INSTALLATION

### ALL POWER-VENTED UNITS WITH TIME DELAY RELAY PN 206146

#### ⚠ WARNING ⚠

**Turn OFF the gas supply and then disconnect the electric power before performing service work.**

- This kit is designed to replace the time delay relay (PN 206146) on any Reznor unit.
- This application includes but is not limited to models HRPD, RDCA, RDDA, RPV, RP(B)(BL), SC(A)(B)(E), SDH, RDH, PDH, and SSCBL.
- Refer to the installation manual provided with the unit for important safety information.
- Relay replacement kit PN 262375 includes these instructions, the Airotronics (#TGLB 3010SC2H) replacement time delay relay (PN 262337), and the 18-inch, 18-gauge brown wire assembly (PN 101676).

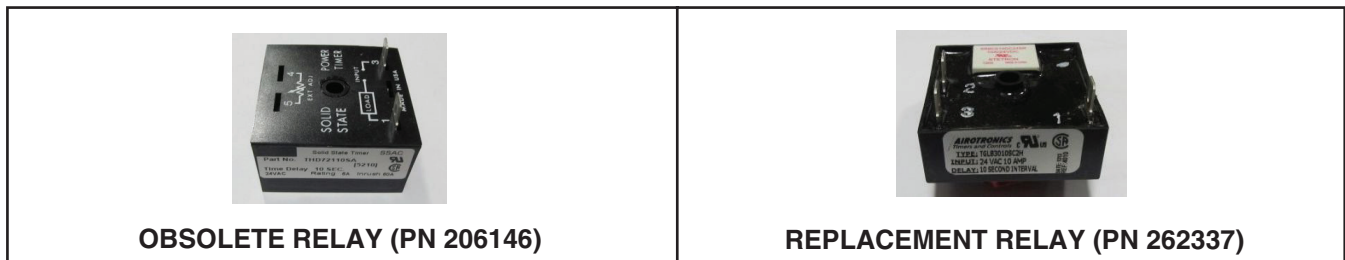
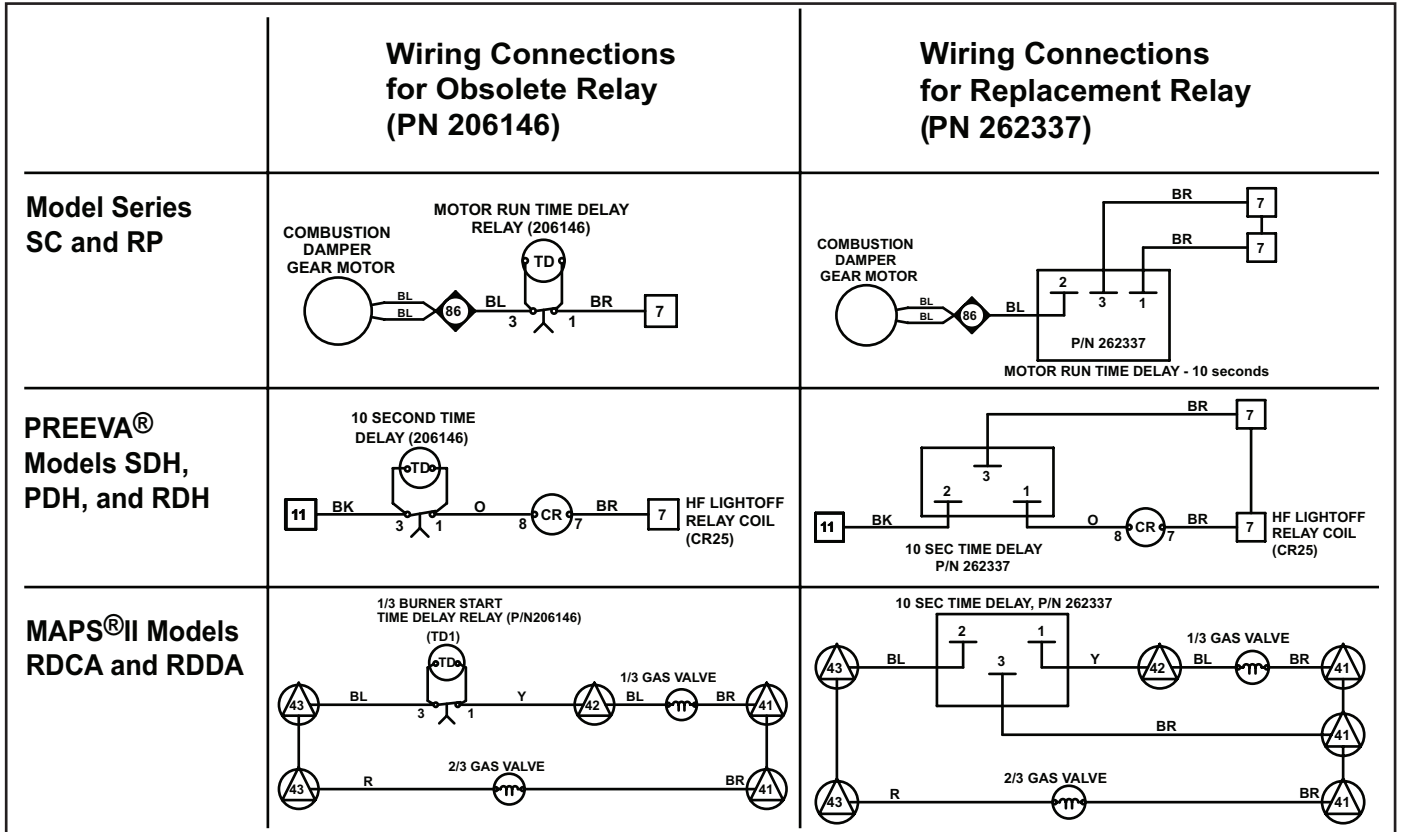


Figure 1. Time Delay Relays

### INSTALLATION

1. Turn OFF gas and disconnect electric power.
2. Remove junction box cover.
3. Mark and disconnect existing time delay relay wires.
4. Remove hardware that secures existing time delay relay in junction box and remove relay.
5. Secure replacement relay in junction box using field-supplied hardware.
6. Reconnect wires to replacement time delay relay—requires connection of brown wire assembly from terminal 3 of replacement time delay relay to terminal on unit as shown in [Figure 2](#).

## INSTALLATION—CONTINUED



**Figure 2. Wiring Connections**

7. Replace junction box cover.
8. Turn ON electric and gas and check unit for proper operation.

