

REPLACEMENT PRESSURE SWITCH KIT INSTALLATION

MODELS EEDU AND HEEDU MANUFACTURED *BEFORE* SEP 2003

NOTE: Check the type of switch on the heater. If the pressure switch is metal, the entire kit is required. If the pressure switch is black plastic, the pressure switch (PN 205821) is the only component from the kit that is required.

- If a model (H)EEDU duct furnace manufactured *before* SEP 2003 requires a replacement pressure switch, this kit is designed to provide the hardware and instructions needed to install a functional replacement switch. Some components may not be used depending on when the heater was manufactured.
- Refer to the installation manual provided with the heater for important safety information.
- Ensure that all components listed shown in **Figure 1** and listed in **Table 1** are available before beginning installation.

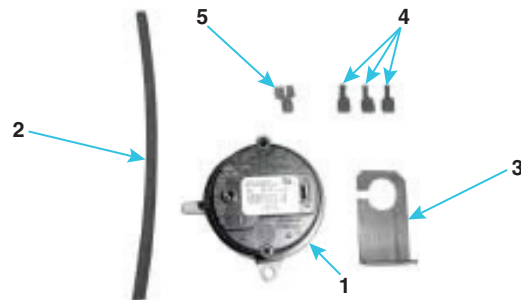


Figure 1. Replacement Pressure Switch Kit (Refer to Table 1)

Table 1. Replacement Pressure Switch Kit (PN 177633) Components			
Item No.	Component	Description	PN (Quantity)
1	Pressure switch	#IS20232-5272	205821 (1)
2	Silicone tubing	Red, 8-1/4 inches long	177293 (1)
3	Mounting bracket	BX cable	177139 (1)
4	Wire terminal	Insulated, 1/4-inch	93911 (3)
5	Terminal connector	MMFA, 2-to-1	43926 (1)

INSTALLATION

Refer to **Figure 2** and replace the pressure switch as follows:

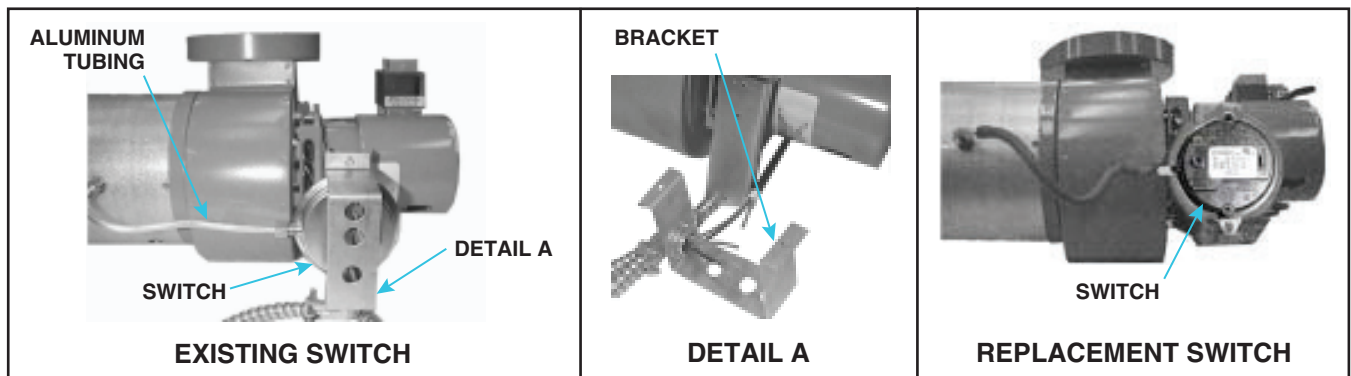


Figure 2. Pressure Switch Assembly

1. Turn OFF gas and electric power.

NOTE: DO NOT remove the venter assembly from the heater to install the pressure switch.

INSTALLATION—CONTINUED

2. Locate and remove existing pressure switch on venter assembly on top rear of heater:
 - a. For units with metal pressure switch and **aluminum** tubing:
 - (1) Mark and disconnect three wires from switch.
 - (2) Remove and save two screws—one at top and one at bottom—that secure existing mounting bracket and switch.

⚠ CAUTION ⚠

Be careful not to compress or kink the short piece of tubing left on the heater.

- (3) Using tubing cutter, cut aluminum tubing—leaving approximately 2 inches (51 mm) attached to heater—and remove and discard tubing.
 - (4) Loosen cable connector from bracket and using tin snips, cut slot similar to one in replacement mounting bracket—and remove and discard switch and bracket.
 - b. For units with metal pressure switch and **silicone** tubing:
 - (1) Mark and disconnect three wires from switch.
 - (2) Disconnect and discard silicone tubing.
 - (3) Remove and save two screws—one at top and one at bottom—that secure existing mounting bracket and switch. Remove and discard switch and bracket.
3. Install wire terminals on each of three pressure switch wires—one black and two orange:
 - a. Cut existing terminal off end of each wire. Do not shorten wire any more than required—cut only terminal.
 - b. Strip end of each wire about 1/4 inch.
 - c. Connect replacement wire terminal to each wire using wire crimper tool.
4. Install replacement pressure switch:
 - a. For units with metal pressure switch and **aluminum** tubing:
 - (1) Position replacement mounting bracket so that flange with small mounting hole faces toward pressure switch.
 - (2) Slide wires through slot and fasten cable connector to bracket.
 - (3) Position replacement switch and bracket over bottom mounting hole and secure switch and bracket using screws removed in step 1—one in bottom mounting hole and one in top mounting hole.
 - (4) Push one end of replacement silicone tubing over fitting on pressure switch. Push other end over existing aluminum tubing. Ensure that both ends are secure.
 - b. For units with metal pressure switch and **silicone** tubing:
 - (1) Position replacement switch over top mounting hole and, using hole as template, mark and drill 1/8-inch hole in plate.
 - (2) Secure switch using screws removed in step 1—one in bottom mounting hole and one in top mounting hole.
 - (3) Push free end of existing silicone tubing over fitting on pressure switch. Other end is already connected to heater. Ensure that both ends are secure.
5. Reconnect pressure switch wires:

NOTE: On the replacement pressure switch, there are two prong-type terminals: a single prong and a 2-to-1 prong labeled C1.

- a. Connect wire terminal on black wire to single prong on pressure switch.
 - b. Slightly bend up one terminal on 2-to-1 connector from kit so that insulated wire terminal will fit on each connection. Connect wire terminals on orange wires to 2-to-1 connector and connect to prong labeled C1 on pressure switch. Ensure that connector and terminals are secure.
6. Turn ON gas and electric power.
7. Light heater in accordance with lighting instructions.
8. Check for proper operation.

