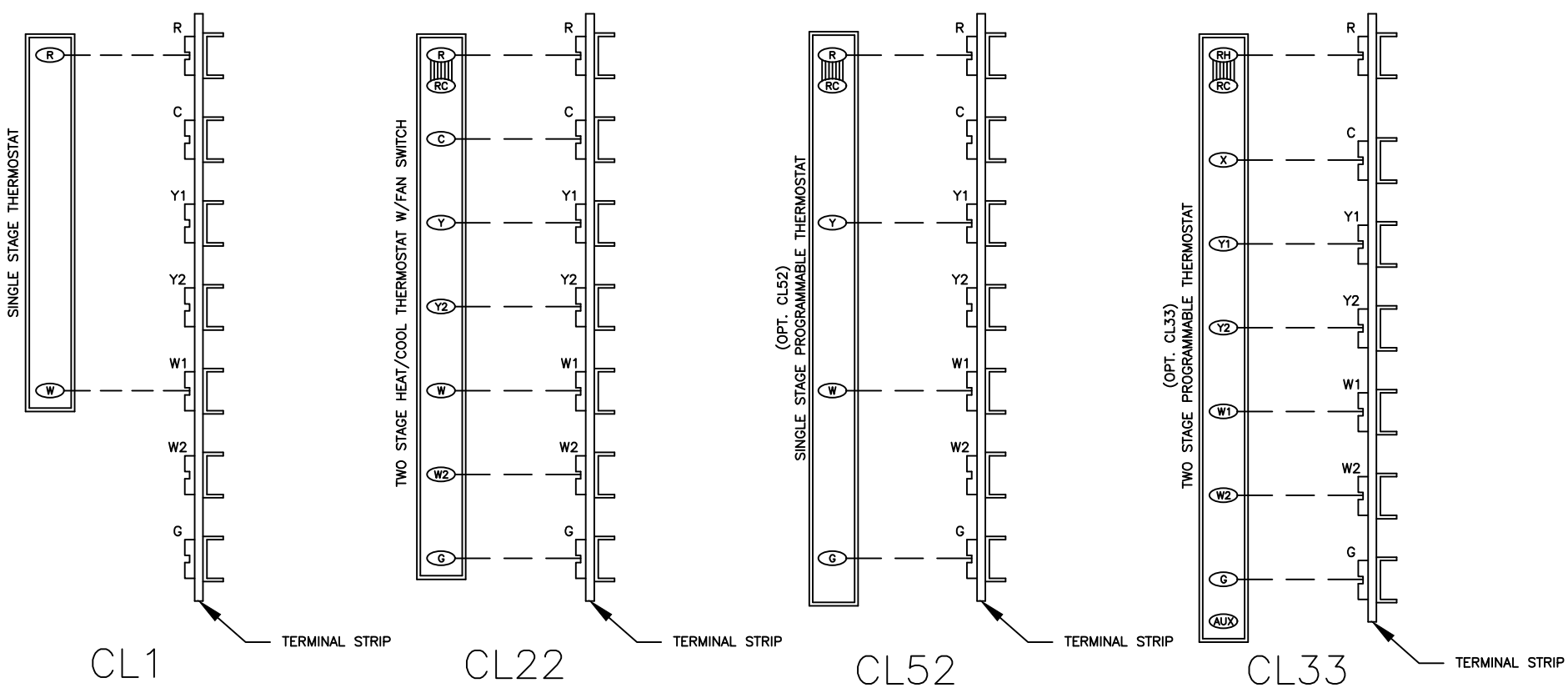
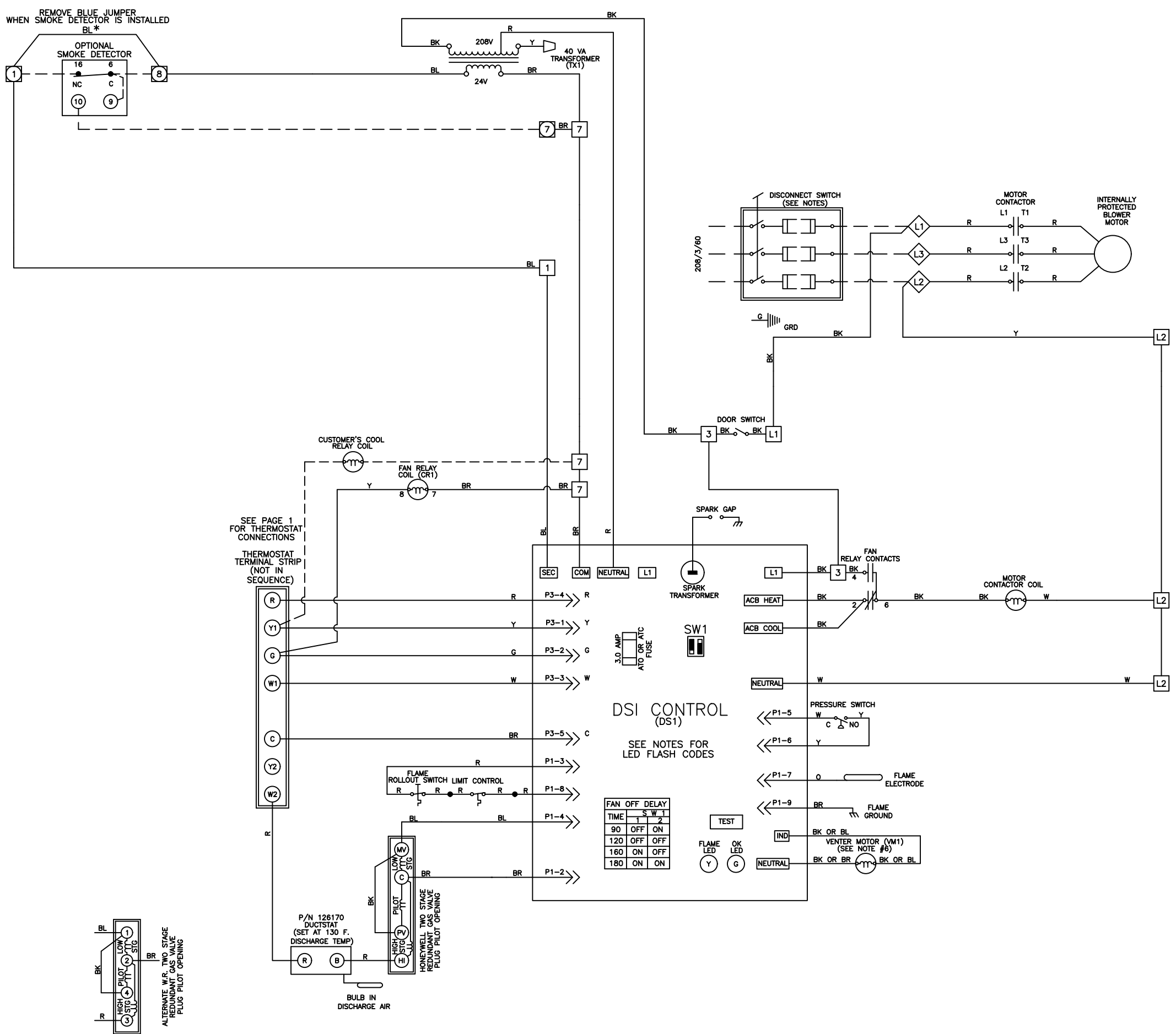


# MODEL CAUA



- ◇ THREE PHASE POWER TERMINAL STRIP
- ⊕ MIXING BOX
- AUXILIARY MAIN
- CRIMP TERMINAL
- ⬡ MAIN TERMINAL BLOCK
- UNIT TERMINAL STRIP
- THERMOSTAT TERMINAL STRIP
- ⚡ WIRE CONNECTOR

LINE AND MOTOR WIRING SIZE				
HP	VOLTAGE	PHASE	WIRE GA	
1/4 - 2	208-230	1	14	
	208-230	1	10	
	208-230	1	8	
1/4 - 3	208-230	3	14	
	208-230	3	12	
1/4 - 5	460-575	3	14	

### LED FLASH CODES

FLASH CODE	MEANING
STEADY ON	NORMAL OPERATION NO CALL FOR HEAT
FAST FLASH	NORMAL OPERATION CALL FOR HEAT
1 FLASH	IN LOCKOUT FROM FAILED IGNITIONS OR FLAME LOSSES
2 FLASH	PRESSURE SWITCH DOES NOT CLOSE WITHIN 30 SECONDS OF VENTER ENERGIZED
3 FLASH	LIMIT SWITCH OPEN
4 FLASH	PRESSURE SWITCH IS CLOSED BEFORE VENTER IS ENERGIZED
STEADY OFF	INTERNAL CONTROL FAULT OR NO POWER
STEADY ON	FLAME SENSED
SLOW FLASH	WEAK FLAME
FAST FLASH	UNDESIRED FLAME (VALVE OPEN & NO CALL FOR HEAT)

### OPERATING SEQUENCE

- SET THERMOSTAT SYSTEM SWITCH AT "OFF" POSITION, FAN SWITCH AT "AUTO" POSITION.
- TURN ON MANUAL GAS VALVE.
- TURN ON POWER TO UNIT.
- SET THERMOSTAT SYSTEM SWITCH AT "AUTO" POSITION, FAN SWITCH AT "AUTO" POSITION.
  - THERMOSTAT CALLS FOR LOW HEAT, ENERGIZING THE VENTER MOTOR.
  - VENTER PRESSURE SWITCH CLOSURES, FIRING UNIT AT LOW RATE.
  - BURNER FLAME IS SENSED, AND IN 30 SECONDS THE BLOWER MOTOR IS ENERGIZED.
  - ON CALL FOR HIGH HEAT THE UNIT FIRES AT FULL RATE.
  - ON CALL FOR COOLING THE BLOWER IS ENERGIZED AND CUSTOMER'S COOLING CIRCUIT IS ENERGIZED.
  - IF THE FLAME IS EXTINGUISHED DURING MAIN BURNER OPERATION, THE INTEGRATED CONTROL SYSTEM CLOSURES THE MAIN VALVE AND MUST BE RESET BY INTERRUPTING POWER TO THE CONTROL CIRCUIT (SEE LIGHTING INSTRUCTIONS).
- SET THERMOSTAT SYSTEM SWITCH AT "OFF" POSITION FOR SHUTDOWN.
  - WHEN BLOWER DOOR IS OPENED OR ON SMOKE DETECTION, THE UNIT IS SHUTDOWN.

### NOTES

- THE FOLLOWING CONTROLS ARE SUPPLIED AS OPTIONAL EQUIPMENT: THERMOSTAT, SMOKE DETECTOR.
- DOTTED WIRING INSTALLED BY OTHERS.
- CAUTION: IF ANY OF THE ORIGINAL WIRING AS SUPPLIED WITH THE APPLIANCE MUST BE REPLACED, IT MUST BE REPLACED WITH WIRING MATERIAL HAVING A TEMPERATURE RATING OF AT LEAST 105° C. EXCEPT FOR SENSOR LEAD WIRE WHICH MUST BE 150° C.
- USE #18 GA. WIRE FOR CONTROL WIRING ON THE UNIT.
- LINE AND FAN MOTOR BRANCH WIRE SIZES SHOULD BE OF A SIZE TO PREVENT VOLTAGE DROPS BEYOND 5% OF SUPPLY LINE VOLTAGE.
- VENTER MOTOR ON 350-400 UNITS HAS BROWN AND BLUE WIRES.
- WHEN PROVIDING OR REPLACING FUSES IN THE FUSIBLE DISCONNECT SWITCH USE DUAL ELEMENTS TIME DELAY FUSES AND SIZE ACCORDING TO 1.25 TIMES THE MAXIMUM TOTAL INPUT AMPS.
- DISCONNECT SWITCH IS FIELD FURNISHED OR AVAILABLE FROM FACTORY AS AN OPTION.

WIRING CODE			
BLACK	- BK		
BROWN	- BR		
RED	- R		
ORANGE	- O		
YELLOW	- Y		
GREEN	- G		
BLUE	- BL		
PURPLE	- PR		
WHITE	- W		

FIELD CONTROL WIRING			
TOTAL WIRE LENGTH	DISTANCE FROM UNIT TO CONTROL	MIN. WIRE GAUGE	RECOMMENDED WIRE GAUGE
150'	75'	#18 GA. WIRE	#16 GA. WIRE
250'	125'	#16 GA. WIRE	#14 GA. WIRE
350'	175'	#14 GA. WIRE	