

## PROTECTIVE GRILLE/SHIELD KIT INSTALLATION FOR GAS-FIRED LOW-INTENSITY RADIANT TUBE HEATERS

### OPTIONS DN7 AND DO3 FOR MODELS VZ, VZH, AND VZT

#### GENERAL INFORMATION

### ⚠ DANGER ⚠

These kits are to be installed by a qualified service agency in accordance with these instructions and in compliance with all codes and requirements of authorities having jurisdiction. Improper installation, adjustment, alteration, service, and/or maintenance can cause property damage, injury, or death. The qualified agency performing this work assumes responsibility for this installation.

**NOTE:** The protective grille guards against contact with heated tubes and is NOT APPROVED for use with angled reflectors. The protective (lower clearance) shield enables bottom clearances to be reduced if required by the installation location.

Refer to the installation manual provided with the unit for important safety information.

#### KIT COMPONENTS

Ensure that all components listed in [Table 1](#) or [Table 2](#) are available before beginning installation.

**Table 1. Option DN7: Protective Grille Kit (PN 1047443) Components**

Item No. (See <a href="#">Figure 1</a> )	Component	PN (Quantity)
1	End section	08050002 (1)
2	Grille section, 40 inches (101 cm) long	08050001 (3)
3	Reflector clip, silicone (package of 6)	91915951-6P (3)

**Table 2. Option DO3: Protective Shield Kit (PN 01397501) Components**

Item No. (See <a href="#">Figure 2</a> )	Component	PN (Quantity)
1	Support strap, protective shield	01397500 (2)
2	Protective shield, 96-inch (244 cm)	02793000 (1)
3	Screw, #8 x 3/8	93511406 (4)
4	Flat washer, #8	95310800 (4)
5	Locknut, #8	92311400 (4)

#### INSTALLATION

### ⚠ DANGER ⚠

- The installer is responsible for adequately supporting the weight of the heater.
- Ensure that clearances are in accordance with the installation manual provided with the heater.
- Refer to these instructions along with the installation manual provided with the heater for complete heater suspension instructions.

**DO NOT DESTROY. PLEASE READ CAREFULLY. KEEP IN A SAFE PLACE FOR FUTURE REFERENCE.**

## INSTALLATION—CONTINUED

### Protective Grille Kit (Option DN7) Installation

**NOTE:** Each kit contains three 40-inch grille sections. Each section requires six reflector clips to secure it to the reflector. Overlap or butt each section together to form a protective grille assembly that is approximately 10 feet long.

1. Install protective grille's end section (1) on grille section (2) that will be installed at reflector's end cap as shown in [Figure 1](#). Pull end section snug, and bend it up at 90-degree angle.
2. Position grille section (2) on bottom of reflector and secure grille to reflector using six silicone reflector clips (3) installed as shown in [Figure 1](#).
3. Install remaining grille section(s) in accordance with step 2. Ensure that grille section with end section is installed on reflector with end cap as shown in [Figure 1](#).

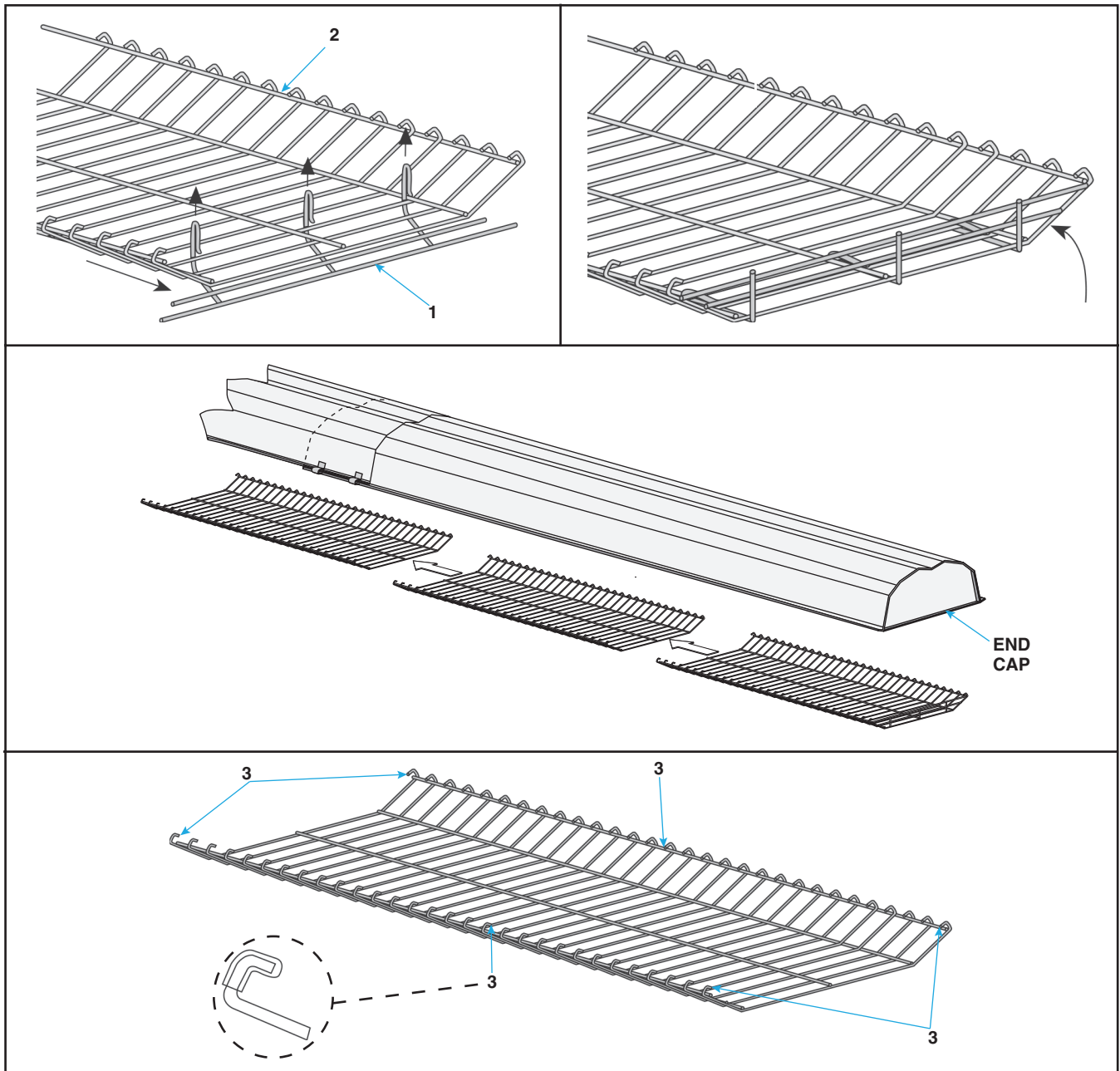
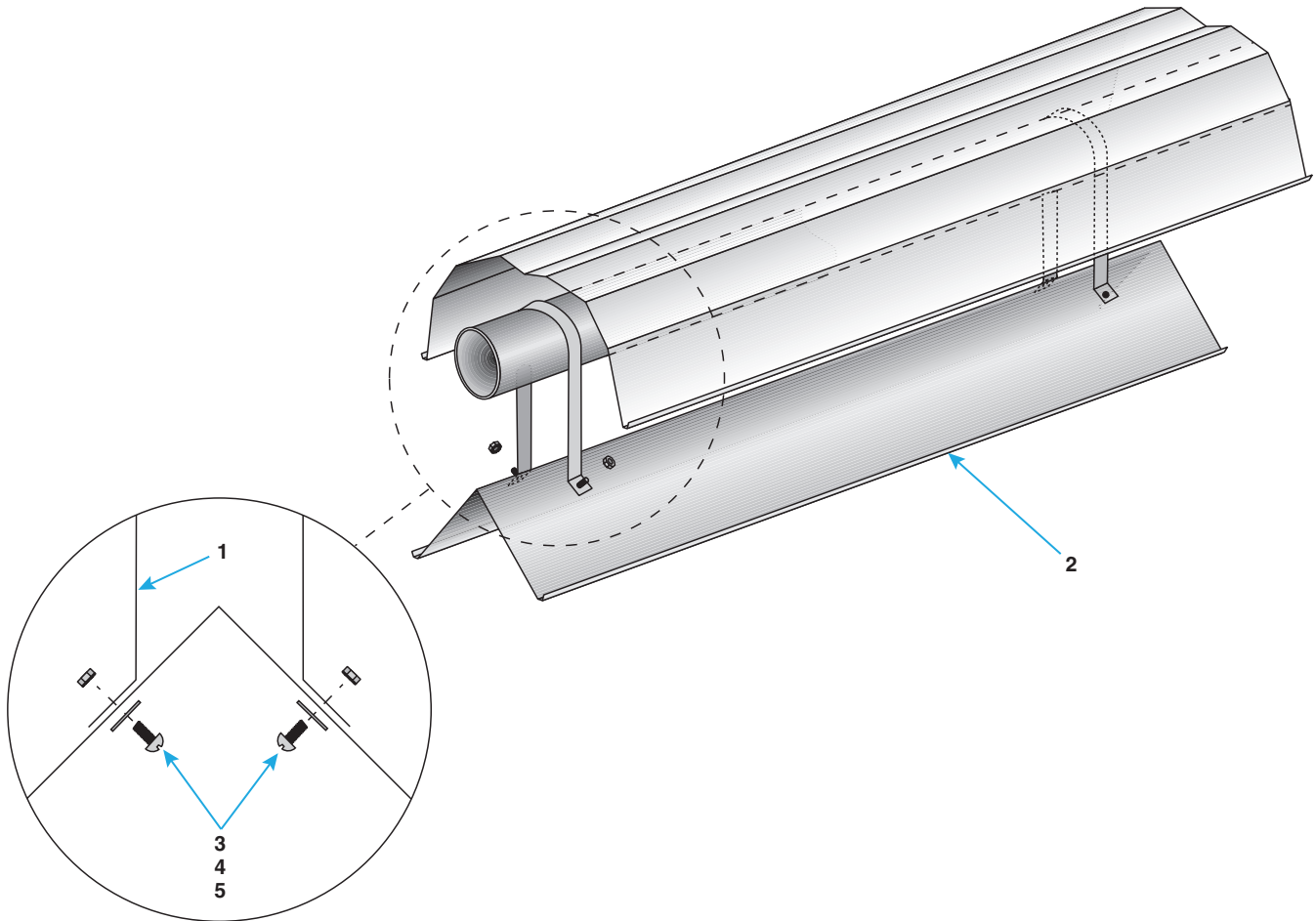


Figure 1. Protective Grille Kit Installation (Refer to [Table 1](#))

## Protective Shield Kit (Option DO3) Installation

**NOTE:** The protective shield is normally installed on the burner tube but may be installed as necessary on the extension tube(s). The bottom edges of the shield hang down approximately 15 inches (381 mm) from the bottom of the tube.

1. Loop support straps (1) around burner tube as shown in [Figure 2](#).
2. Align support strap (1) holes with holes in protective shield (2) and secure straps to shield using screws (3), flat washers (4), and locknuts (5) as shown in [Figure 2](#).



**Figure 2. Protective Shield Kit Installation (Refer to [Table 2](#))**

