

## DOOR LATCH REPLACEMENT KIT INSTALLATION

MODELS ADF, ADFH, PGBL, RBA, RBHA, RBL, RGB, RGBL, RPB, RPBL, AND SSCBL

### ⚠ WARNING ⚠

**Turn OFF the gas supply and then disconnect the electric power before performing service work.**

- Refer to the installation manual provided with the unit for important safety information.
- Ensure that all components listed in [Table 1](#) are available before beginning installation.

Table 1. Door Latch Replacement Kit (PN 112974) Components		
Item No. (See <a href="#">Figure 1</a> )	Component	Description
1	Door latch shaft	Slotted head with directional arrow (#61-11-1-14)
2	Trim washer	Metal (#61-7-3-14)
3	Neoprene washer	Outer, black (#85-43-201-38)
4		Inner, black (#85-33-101-27)
5	Retainer	Metal (#61-6-1-13)
6	Pawl	With setscrew (#61-9-1-11)

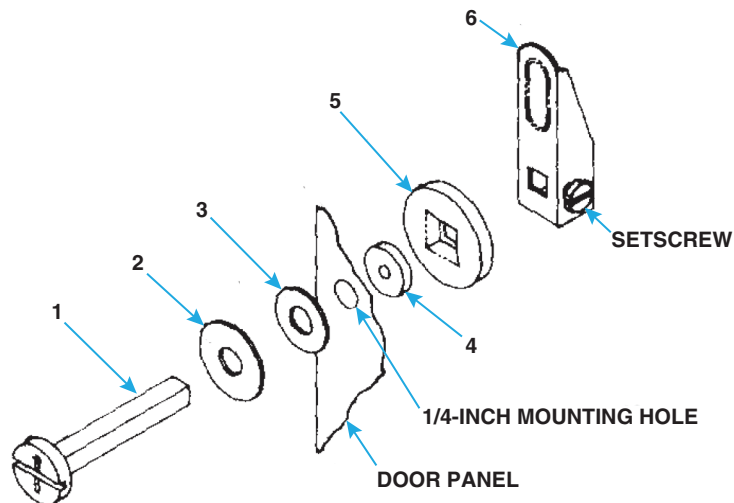


Figure 1. Door Latch Assembly

## INSTALLATION

---

**NOTE: The required tools are a push-on retainer tool or 5/8-inch deep socket and a flat-head screwdriver.**

---

Install the door latch replacement kit as follows. Item numbers in parentheses refer to **Figure 1**.

1. Ensure that gas and electric power are turned OFF.
2. Remove existing door latch:
  - a. For single-wall construction, remove hardware that secures door latch and remove latch.
  - b. For double-wall construction (models with option AY3):
    - (1) Loosen setscrew and remove pawl from all latches (even those not being replaced).
    - (2) Remove and save two screws along top edge of door panel.
    - (3) Remove and save three screws from front outer panel to loosen inner wall panel, door handle, and bottom door seal angle.
    - (4) Remove inner wall panel—lift to clear shafts of door latches.
    - (5) Remove hardware that secures door latch and remove latch(es) to be replaced.
3. Assemble door latch shaft (1), trim washer (2), and outer neoprene washer (3) and insert assembly into 1/4-inch mounting hole through outer side of door panel as shown in **Figure 1**.
4. Push smaller diameter inner neoprene washer (4) onto door latch shaft (1) and against inside of door panel.

---

**NOTE: If a push-on-retainer tool is available, use it to install the retainer (5) onto the door latch shaft. If a push-on retainer tool is not available, place the retainer over the end of a 5/8-inch deep socket. Using the socket to equalize the pressure, firmly push the metal retainer onto the shaft. Whichever method is used, the flanges on the metal retainer will bend to attach the door latch shaft to the door panel. The latch must be firmly attached to the door panel.**

---

5. Install retainer (5) onto door latch shaft (1) using push-on retainer tool or 5/8-inch deep socket. Ensure that flanges on retainer bend to firmly secure door latch shaft to door panel.
6. For double-wall construction, install inner wall panel:
  - a. Position inner wall panel so that door latch shaft(s) align with 5/8-inch clearance holes.
  - b. Re-install two sheet metal screws in top edge of door assembly.
  - c. Position bottom door seal angle on bottom edge of inner door panel and re-install three screws through outer door panel.

---

**NOTE: For double-wall construction, ensure that pawls are re-installed on all four latches (even those not being replaced).**

---

7. Install pawl (6):
  - a. Turn door latch shaft (1) so that arrow on head is vertical. Slide pawl (6) onto end of shaft so that pawl is pointing in same direction as arrow.
  - b. Position pawl (6) on door latch shaft (1) about 1 inch from inside of outer door panel (approximately flush with insulation on single-wall construction or with inner panel on double-wall construction) and tighten setscrew to secure pawl.
  - c. Check position of pawl (6) by closing door panel—door must close tightly without pushing to turn latch.
  - d. If necessary, adjust position of pawl (6) until door closes properly and tighten setscrew.

