

## VERTICAL LOUVER KIT INSTALLATION FOR UNIT HEATERS

### OPTION CD32 FOR MODEL LDAP

- All model LDAP heaters have horizontal louvers. By adding optional vertical louvers, the discharge air can be directed to provide a larger or smaller throw pattern.
- Option CD32 consists of additional louvers that are installed perpendicular to the standard individually-adjustable louvers. By installing the optional perpendicular louvers, the two sets of louvers can be adjusted to direct airflow in any of the four directions, enabling the installer to select and increase or decrease the coverage area.
- Refer to the installation manual provided with the heater for important safety information.
- Ensure that all components listed in [Table 1](#) are available before beginning installation.

**Table 1. Option CD32 Kit Components**

Item No.*	Component	Description	Unit Size		
			400	800	1200
			Kit PN		
			208091	208884	208885
			Component PN (Quantity)		
1	Louver		195578 (7)	195578 (14)	195578 (21)
2	Support	Louver frame	207937 (2)	207937 (4)	207937 (6)
3	Side	Louver frame	207936 (2)	207936 (4)	207936 (6)
4	Bag	Hardware	208355 (1)	208355 (2)	208355 (3)
4A	Screw**	Hex washer head, #8-18 x 3/8, AB point, slotted indented serrated	195638 (18)		
4B		#8 x 1/2, self-drilling, Teks	195249 (6)		
4C	Spring**	Compression	195046 (7)		
*See <a href="#">Figure 1</a> .					
**Included in each hardware bag.					

## INSTALLATION

Install the vertical louver kit as follows. Item numbers in parentheses refer to [Figure 1](#).

1. Assemble louver frame. Secure both sides (3) to both supports (2) using screws (4A).
2. If heater is installed, turn OFF gas and electric power. Allow time for horizontal louvers to cool before proceeding.

**NOTE: If the horizontal louvers are not already installed in the discharge opening, install them before installing the assembled louver frame.**

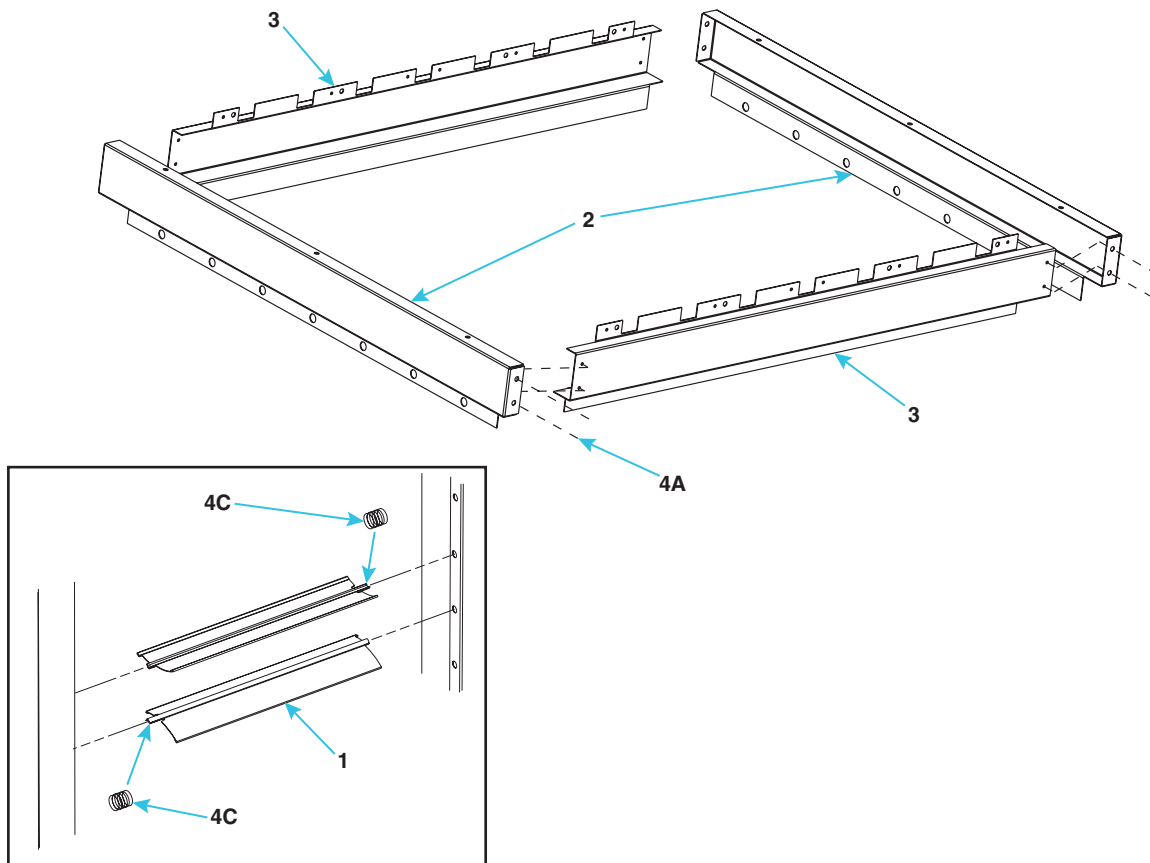
3. Install assembled louver frame:
  - a. Position assembled louver frame in heater outlet so that holes in tabs on sides align with holes in heater outlet. Tabs fit between horizontal louvers already installed in discharge opening.
  - b. Secure louver frame tabs to heater discharge opening using screws (4A).
  - c. Align holes in louver frame supports (2) with holes in heater outlet and secure louver frame in heater outlet using screws (4B).

**NOTE: Before installing the louvers, note the louver curve and determine how the louvers should be positioned to provide the optimal throw pattern. Depending on where the heater is installed and on the desired airflow direction, the louvers may be installed with their curves all in the same direction (either way) or the right half one way and the left the other.**

4. Install vertical louvers (1) in louver frame:

**NOTE: The wider side of the louver blade must always be facing out of the heater. Depending on the desired throw pattern, the end of the louver with the spring can go either into the frame top or bottom.**

## INSTALLATION—CONTINUED



**Figure 1. Four-Way Louver Assembly**

- a. On notched end of louver (1), slide compression spring (4C) over tab.
- b. With wider louver (1) blade facing in toward heat exchanger, push tab with compression spring (4C) into hole in top or bottom louver frame—spring compresses. Insert tab on other end of louver into opposite louver frame. For left airflow, compress spring into top louver frame. For right airflow, compress spring into bottom louver frame.
- c. Install all remaining louvers (1) in accordance with steps 4a and 4b.

### ⚠ WARNING ⚠

**To avoid burns, adjust louvers while heater is not in operation. If louvers must be adjusted while heater is operating, wear protective gloves.**

5. Adjust horizontal and vertical louvers to provide desired throw pattern.
6. Turn ON gas and electric power.
7. Light heater in accordance with lighting instructions.
8. Check for proper operation.

